

SPECIFICATION:

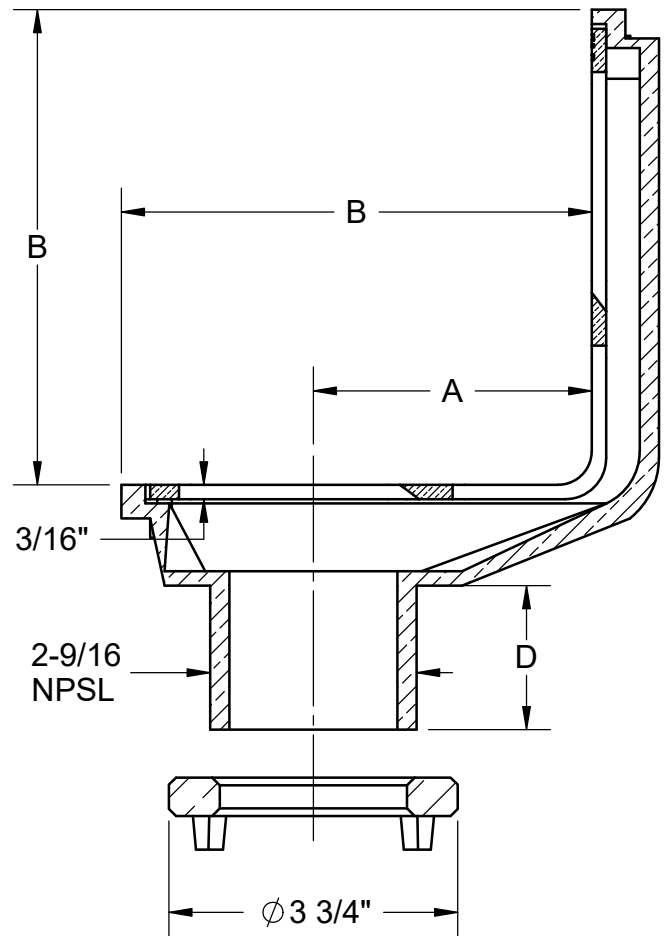
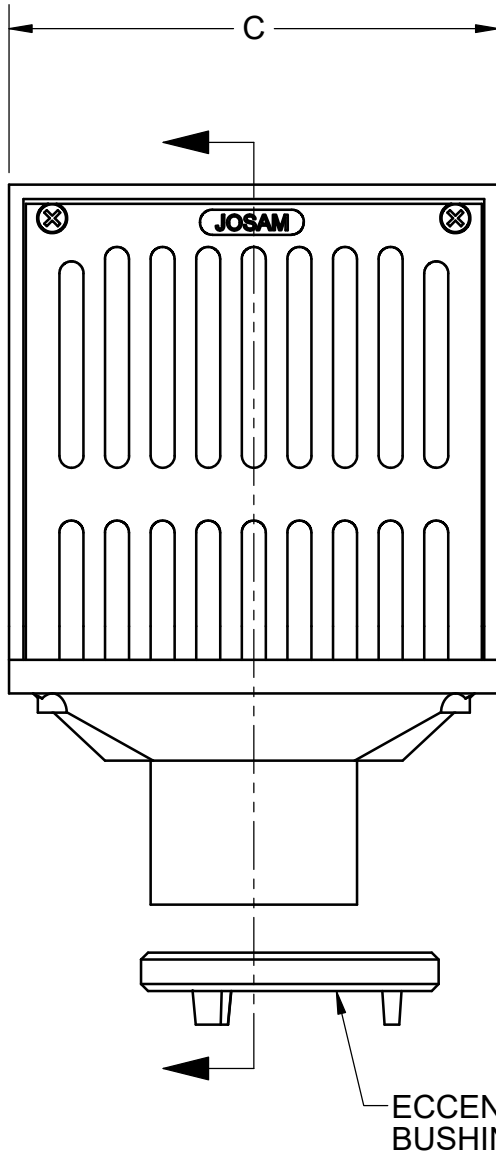
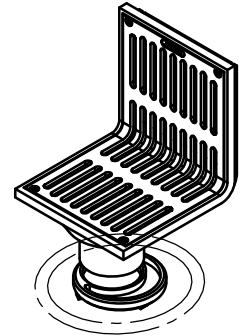
JOSAM SERIES "P" ADJUSTABLE SATIN FINISH NIKALOY ANGLE STRAINER WITH ANGLE BODY AND GRATE, AND ECCENTRIC BUSHING, THREADED WITH JOSAM ADJUSTABLE STRAINER THREAD.

**FLOOR DRAIN
ADJUSTABLE STRAINER**

SERIES

P

SLOT WIDTHS 9/32"
MEETS ADA AND HEEL-PROOF



NOTE:
ASSEMBLE STRAINER, ECCENTRIC BUSHING AND CLAMP-COLLAR FOR VERTICAL PLACMENT OVER DRAIN BODY.

				STRAINER	A	B	C	D	FREE AREA
-2	BRONZE ADJUSTABLE STRAINER								
-80	PERFORATED STAINLESS STEEL BASKET			-4P	2-1/4	3-1/4	4-1/4	1	8.9
-VP	SECURED GRATE, VANDAL-PROOF SCREWS			-6P	3-1/8	6-1/8	6-1/4	1-1/2	18.7
-TSI	TRAP SEAL INSERT								

WARNING: Cancer and Reproductive Harm - www.P65Warnings.ca.gov

DATE OF LAST CHANGE: 09/21/22 BLK

DIMENSIONS ARE SUBJECT TO MANUFACTURERS TOLERANCES AND CHANGE WITHOUT NOTICE. WE CAN ASSUME NO RESPONSIBILITY FOR USE OF SUPERSEDED OR VOID DATA.



MICHIGAN CITY, INDIANA

NOTES