

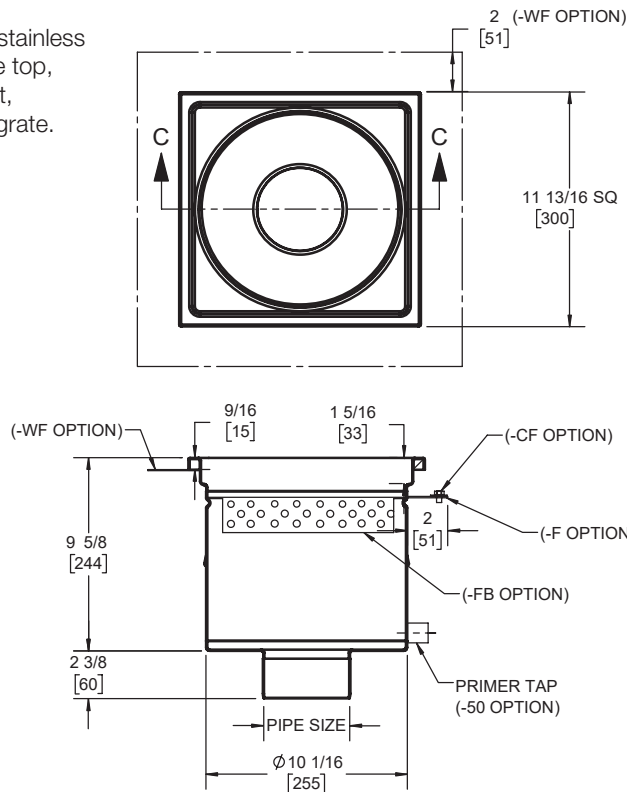
41650-HG

SS Drain

12" Square Top, 10" Deep

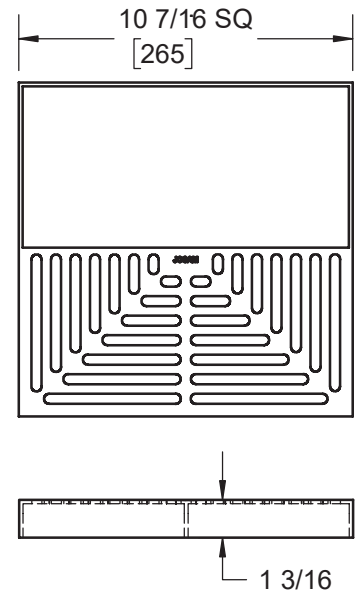
Specification

Josam series 41650-HG fabricated stainless steel (type 304, 14 GA), 12" square top, 10" deep, with no-hub bottom outlet, anchor tabs and perforated SS 1/2 grate.



PERFORATED 1/2 GRATE

FREE AREA = 72.4 IN²



OPTIONS:

-CWD	Can wash drain
-NB	Nickel bronze rim & grate (*add 0.5")
-FB	Filter basket
-SB	Sediment bucket
-VP	Secured grate
-DB	Dome bottom strainer
-SO	Side outlet
-50	1/2" primer tap
-WH	Weepholes (1 per side, $\varnothing 1/8"$)
-T	Threaded outlet
-PFO	Push-Fit size outlet

-WF	Wide flange
-F	Flange, anchor
-CF	Clamp and flange
-BW	Butt-weld outlet (spec. 10, 40, 80)
-NG	No grate
X -HG	Perf. Half grate
-3Q	Perf. 3/4 grate
-MG	Mesh, anti-slip grate
-LG	Ladder grate
-SG	Perimeter slot grate
-316	Type 316L material

Model	Pipe size
41653	3"
41654	4"
41656	6"

Josam product specifications in U.S. customary units are approximate and provided for reference only. For precise measurements, please contact Josam Technical Support. Josam reserves the right to change or modify product design, construction, specifications, or materials without prior notice and without incurring any obligation to make such changes and modifications on Josam products previously or subsequently sold.

Notes:



A WATTS Brand