

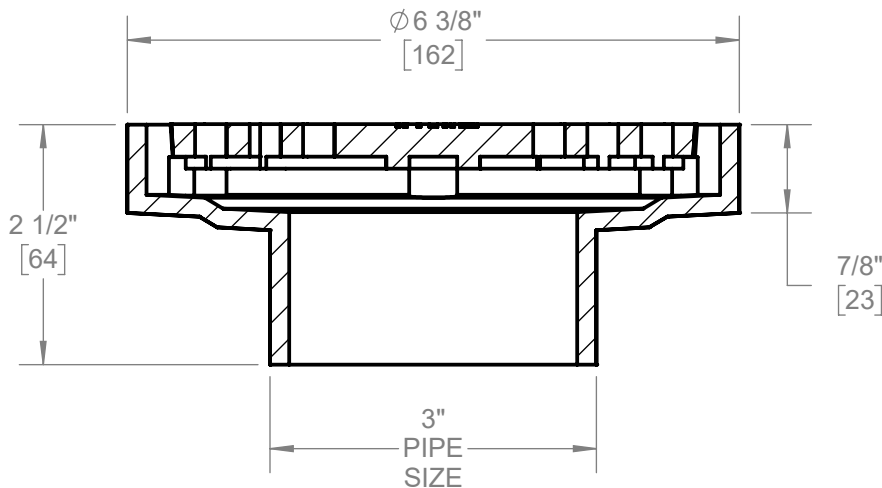
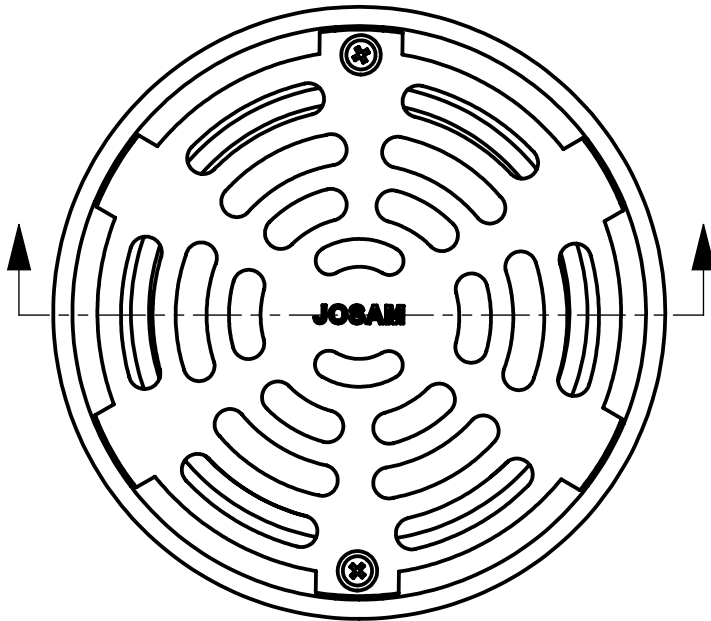
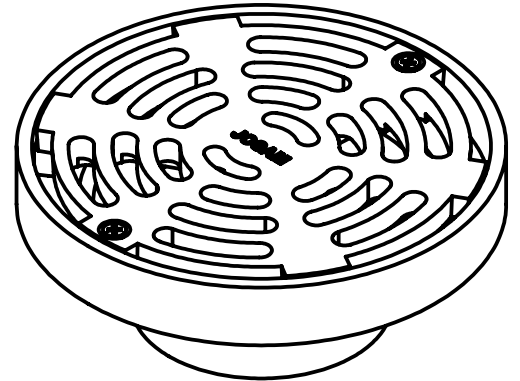
SPECIFICATION:

JOSAM SERIES 85903 COATED CAST IRON DRAIN WITH NO-HUB CONNECTION AND SUPER-FLO MEDIUM-DUTY SECURED GRATE.

DRAIN
MEDIUM-DUTY

SERIES **85903-Z**

SLOT WIDTH: 5/16" (MEETS ADA AND HEEL-RESISTANT)
GRATE FREE AREA: 11.7 IN²



OPTIONS:

-47	GALVANIZED CI PARTS
-F4-93	ROUND CAST IRON FUNNEL
-TSI	TRAP SEAL INSERT

WARNING: Cancer and Reproductive Harm - www.P65Warnings.ca.gov

DATE OF LAST CHANGE: 10/27/22 BDT

DIMENSIONS ARE SUBJECT TO MANUFACTURERS TOLERANCES AND CHANGE WITHOUT NOTICE. WE CAN ASSUME NO RESPONSIBILITY FOR USE OF SUPERSEDED OR VOID DATA.



MICHIGAN CITY, INDIANA

NOTES