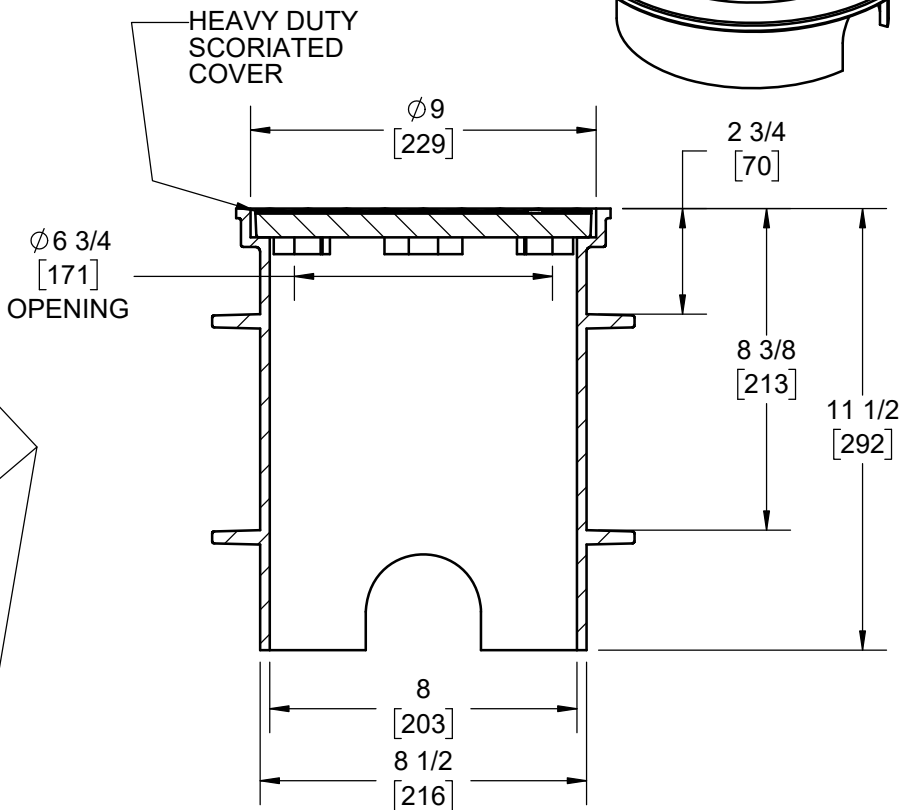
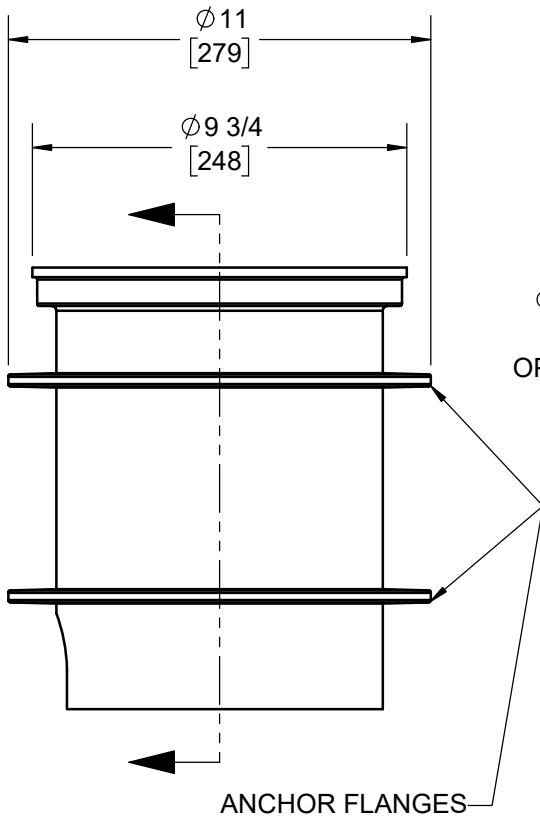
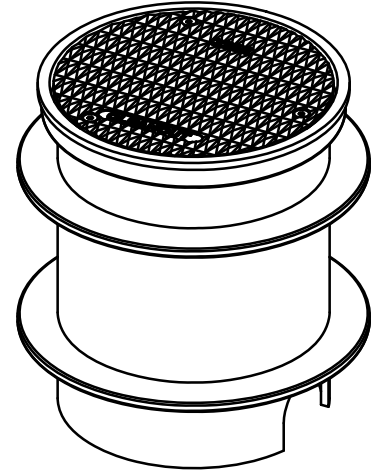


SPECIFICATION:

JOSAM 58680 SERIES ROUND COATED CAST IRON ACCESS FRAME WITH ANCHOR FLANGES AND HEAVY-DUTY SCORIATED SECURED COVER.

**CLEANOUT
ACCESS COVER**

SERIES **58680**



OPTIONS:

-VP	SECURED COVER, VANDAL-PROOF SCREWS
-1	NIKALOY COVER
-5	DUCTILE IRON COVER (SPECIAL DUTY)
-20	RAISED HEAD BRONZE PLUG
-26	GASKETED COVER
-31	GALVANIZED CAST IRON PARTS
-CO2	NO-HUB CLEANOUT, 2"
-CO3	NO-HUB CLEANOUT, 3"
-CO4	NO-HUB CLEANOUT, 4"
-CO6	NO-HUB CLEANOUT, 6"

SPECIAL WORDING ON COVER
SAN OR STORM
(SPECIFY ON ORDER)

NOTE: SEPARATE DRAWING AVAILABLE FOR -CO VERSIONS

WARNING: Cancer and Reproductive Harm - www.P65Warnings.ca.gov

DATE OF LAST CHANGE: 02/10/25

DIMENSIONS ARE SUBJECT TO MANUFACTURERS TOLERANCES AND CHANGE WITHOUT NOTICE. WE CAN ASSUME NO RESPONSIBILITY FOR USE OF SUPERSEDED OR VOID DATA.

JOSAM
MICHIGAN CITY, INDIANA

NOTES