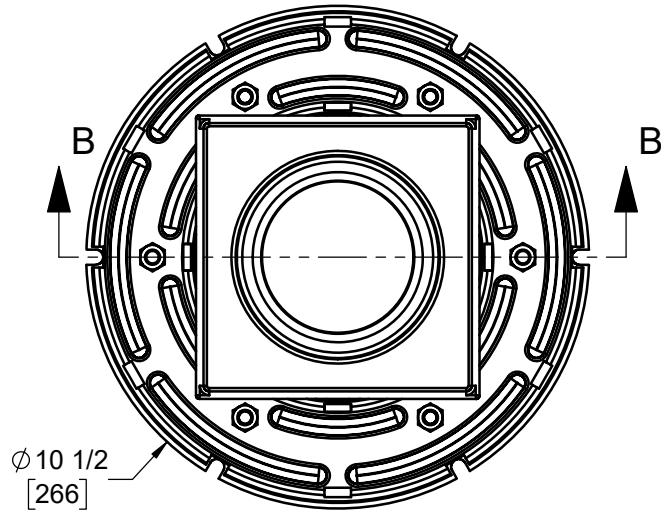


**SPECIFICATION:**

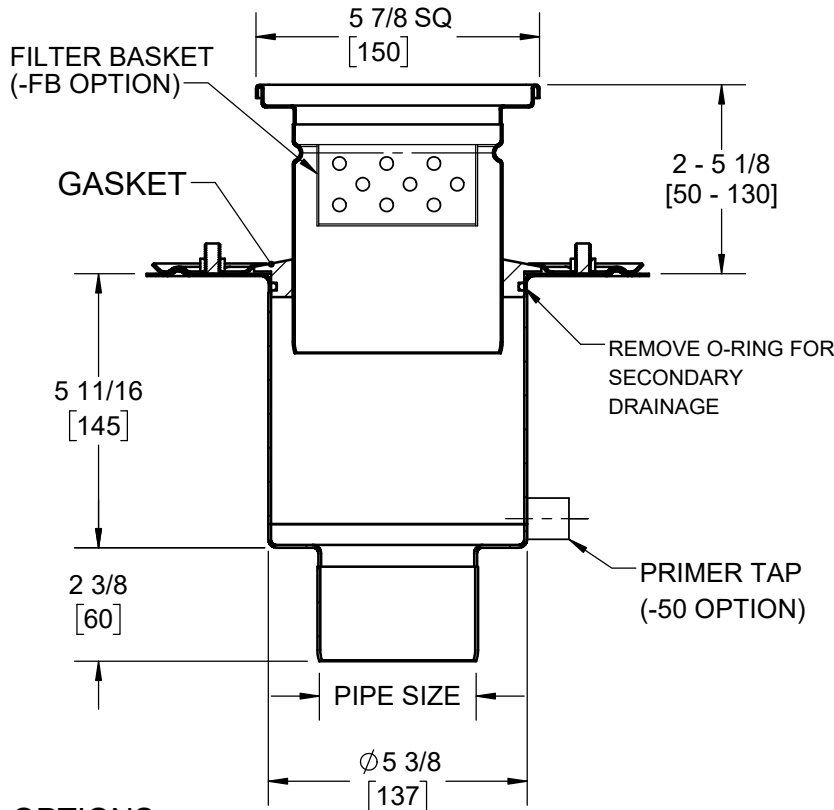
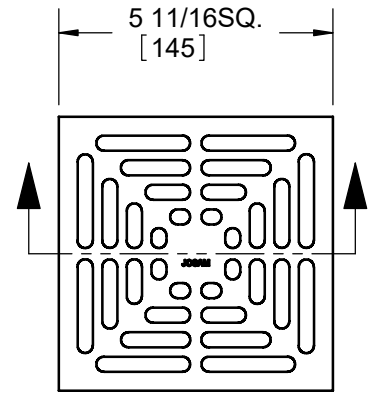
JOSAM SERIES 43350 FABRICATED STAINLESS STEEL (TYPE 304), ADJUSTABLE 6" SQUARE TOP, WITH NO-HUB BOTTOM OUTLET, LEVELING FEET, MEMBRANE CLAMP AND PERFORATED SS GRATE.

**SS DRAIN**  
ADJUSTABLE, 6" SQ. TOP

SERIES **43350**



**STANDARD GRATE**  
FREE AREA = 11.5 IN<sup>2</sup>  
MEETS ADA AND HEEL-PROOF REQS.



MODEL	PIPE SIZE
43352	2"
43353	3"

**OPTIONS:**

-FB	FILTER BASKET
-SB	SEDIMENT BUCKET
-VP	SECURED GRATE
-50	1/2" PRIMER TAP
-BW	BUTT-WELD OUTLET (SPEC. 10, 40, 80)
-PFO	PUSH FIT OUTLET
-DB	DOMED BOTTOM STRAINER

-T	THREADED OUTLET
-NG	NO GRATE
-HG	PERF. HALF GRATE
-3Q	PERF. 3/4 GRATE
-LG	LADDER GRATE
-316	TYPE 316L MATERIAL

WARNING: Cancer and Reproductive Harm - www.P65Warnings.ca.gov

DATE OF LAST CHANGE: 01/11/23 | BLK

DIMENSIONS ARE SUBJECT TO MANUFACTURERS TOLERANCES AND CHANGE WITHOUT NOTICE. WE CAN ASSUME NO RESPONSIBILITY FOR USE OF SUPERSEDED OR VOID DATA.

**JOSAM**  
MICHIGAN CITY, INDIANA

NOTES