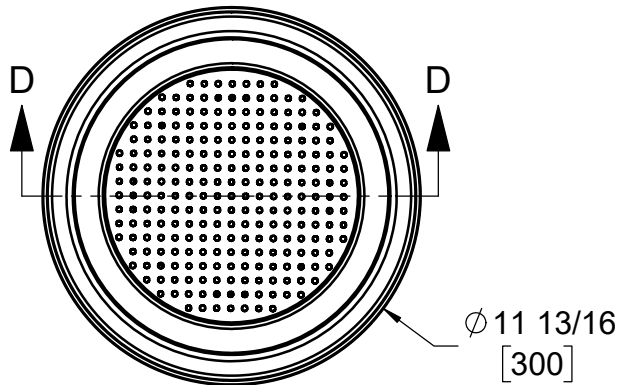


SPECIFICATION:

JOSAM SERIES 42630 FABRICATED STAINLESS STEEL (TYPE 304), 12" ROUND TOP, 6" DEEP, WITH NO-HUB BOTTOM OUTLET, ANCHOR TABS AND PERFORATED SS GRATE (STANDARD).

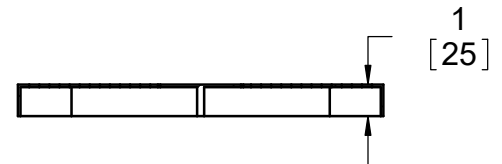
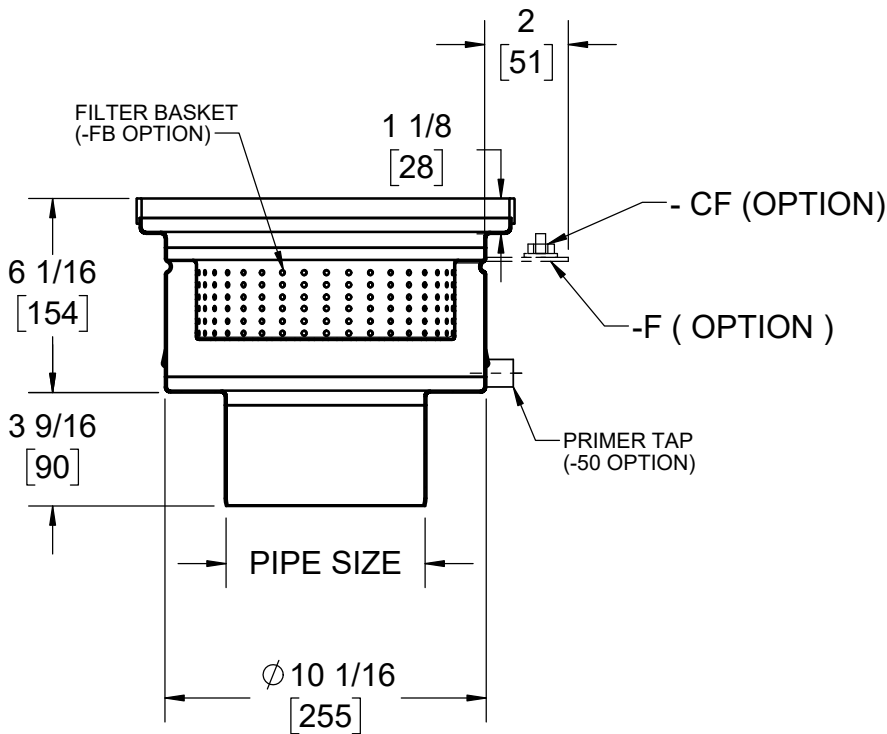
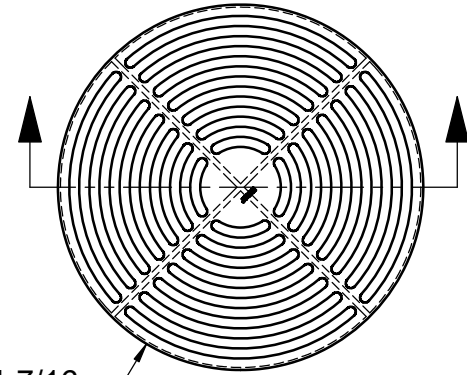
SS DRAIN
12" ROUND TOP, 6" DEEP

SERIES **42630**



STANDARD GRATE

FREE AREA = 42.4 IN²
MEETS ADA AND HEEL-PROOF REQS.



MODEL	PIPE SIZE
42633	3"
42634	4"
42636	6"

OPTIONS:

-FB	FILTER BASKET
-SB	SEDIMENT BUCKET
-VP	SECURED GRATE
-BW	BUTT-WELD OUTLET (SPEC. 10, 40, 80)
-50	1/2" PRIMER TAP
-T	THREADED OUTLET
-F	FLANGE ONLY
-CF	CLAMP AND FLANGE
-PFO	PUSH-FIT OUTLET

-WH	WEEPHOLES 1/8" (3X)
-NG	NO GRATE
-HG	PERF. HALF GRATE
-3Q	PERF. 3/4 GRATE
-MG	MESH, ANTI-SLIP GRATE
-LG	LADDER GRATE
-SG	PERIMETER SLOT GRATE
-316	TYPE 316L MATERIAL
-DB	DOMED BOTTOM STRAINER

WARNING: Cancer and Reproductive Harm - www.P65Warnings.ca.gov

DATE OF LAST CHANGE: 01/11/23 BLK

DIMENSIONS ARE SUBJECT TO MANUFACTURERS TOLERANCES AND CHANGE WITHOUT NOTICE. WE CAN ASSUME NO RESPONSIBILITY FOR USE OF SUPERSEDED OR VOID DATA.

JOSAM

MICHIGAN CITY, INDIANA

NOTES