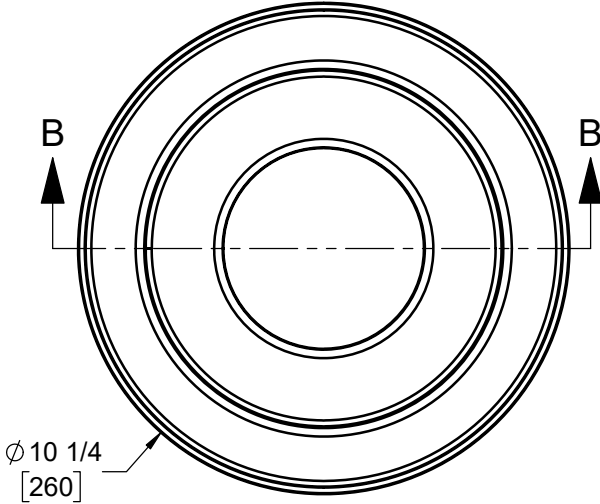


**SPECIFICATION:**

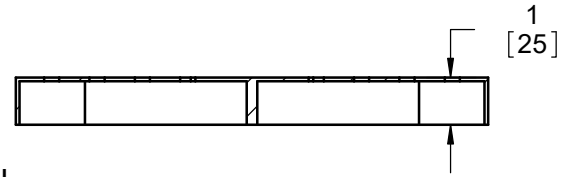
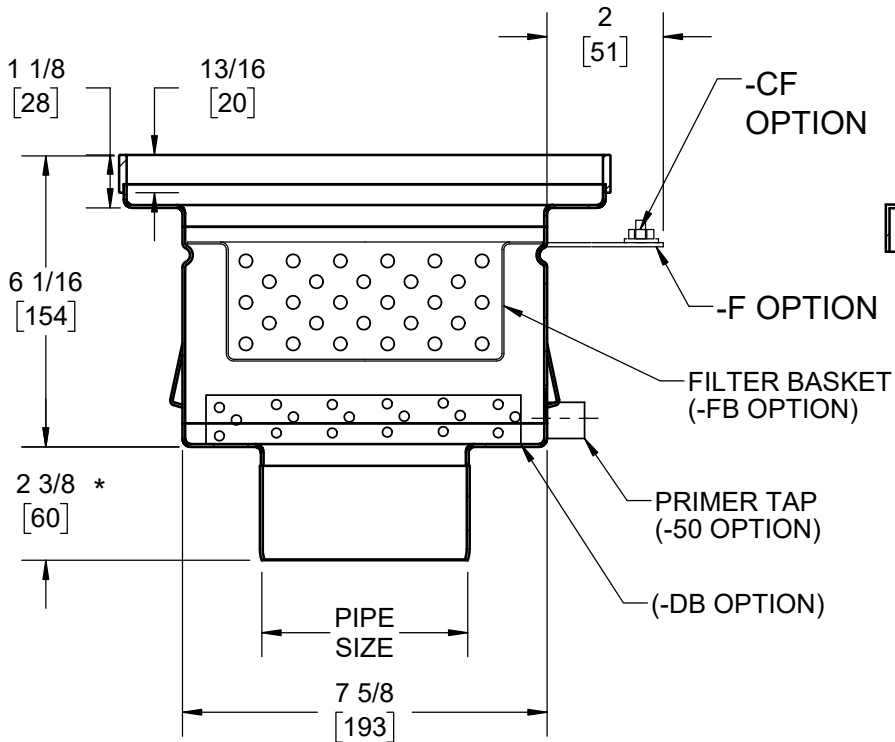
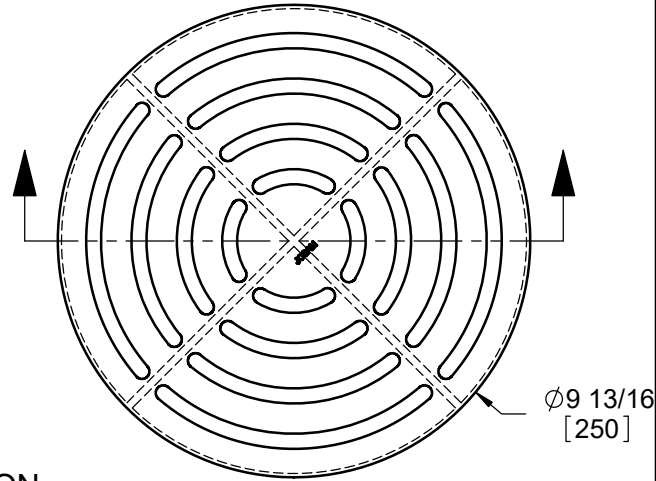
JOSAM SERIES 42530 FABRICATED STAINLESS STEEL (TYPE 304),  
10" ROUND TOP, 6" DEEP, WITH NO-HUB BOTTOM OUTLET,  
ANCHOR TABS AND PERFORATED SS GRATE (STANDARD).

**SS DRAIN**  
10" ROUND TOP, 6" DEEP

SERIES **42530**



**STANDARD GRATE**  
FREE AREA = 19.9 IN<sup>2</sup>  
MEETS ADA AND HEEL-PROOF REQMNTS.



	MODEL	PIPE SIZE
	42532	2"
	42533	3"
	42534	4"
	42536	6"

\*3.75 [95] FOR 6" OUTLET

**OPTIONS:**

-PFO	OUTLET FOR SS PUSH-FIT PIPE
-FB	FILTER BASKET
-SB	SEDIMENT BUCKET
-VP	SECURED GRATE
-50	1/2" PRIMER TAP
-BW	BUTT-WELD OUTLET (SPEC. 10, 40, 80)
-T	THREADED OUTLET
-316	TYPE 316L MATERIAL
-F	FLANGE
-CF	CLAMP AND FLANGE

-DB	DOME BOTTOM STRAINER
-NG	NO GRATE
-HG	PERF. HALF GRATE
-3Q	PERF. 3/4 GRATE
-MG	MESH, ANTI-SLIP GRATE
-LG	LADDER GRATE
-SG	PERIMETER SLOT GRATE
-SK	SEALED COVER W/ EYEBOLT KEY
-SV	SEALED COVER W/ VACUUM HNDL
-WH	WEEPHOLES

WARNING: Cancer and Reproductive Harm - www.P65Warnings.ca.gov

DATE OF LAST CHANGE: 01/18/23 | BLK

DIMENSIONS ARE SUBJECT TO MANUFACTURERS TOLERANCES AND CHANGE WITHOUT NOTICE. WE CAN ASSUME NO RESPONSIBILITY FOR USE OF SUPERSEDED OR VOID DATA.

**JOSAM**  
MICHIGAN CITY, INDIANA

NOTES