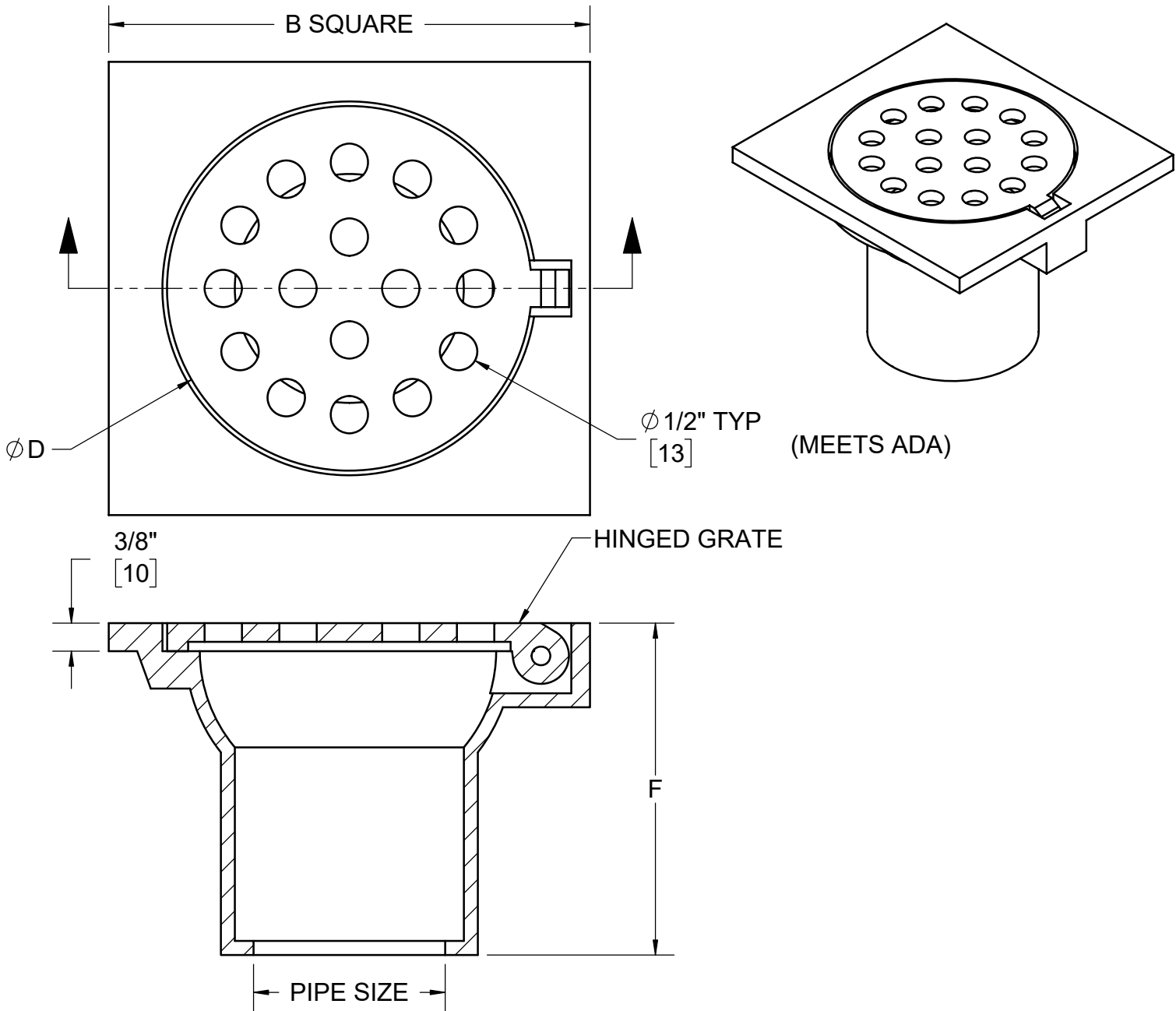


SPECIFICATION:

JOSAM 39960 SERIES COATED CAST IRON FLOOR DRAIN, BOTTOM OUTLET, INSIDE CAULK CONNECTION AND SQUARE TOP WITH ROUND HINGED GRATE.

FLOOR DRAIN
SQUARE TOP W/ HINGED GRATE

SERIES **39960**



PIPE SIZE	B	D	F	FREE AREA
2"	6	4-7/8	4-1/2	3.0
3"	9	7-3/8	6-1/8	6.6

-VP	SECURED GRATE, VANDAL-PROOF SCREWS
-ARE	ACID-RESISTING EPOXY
-92	GALVANIZED CAST IRON PARTS
-TSI	TRAP SEAL INSERT

WARNING: Cancer and Reproductive Harm - www.P65Warnings.ca.gov

DATE OF LAST CHANGE: 09/26/24

DIMENSIONS ARE SUBJECT TO MANUFACTURERS TOLERANCES AND CHANGE WITHOUT NOTICE. WE CAN ASSUME NO RESPONSIBILITY FOR USE OF SUPERSEDED OR VOID DATA.



MICHIGAN CITY, INDIANA

NOTES