

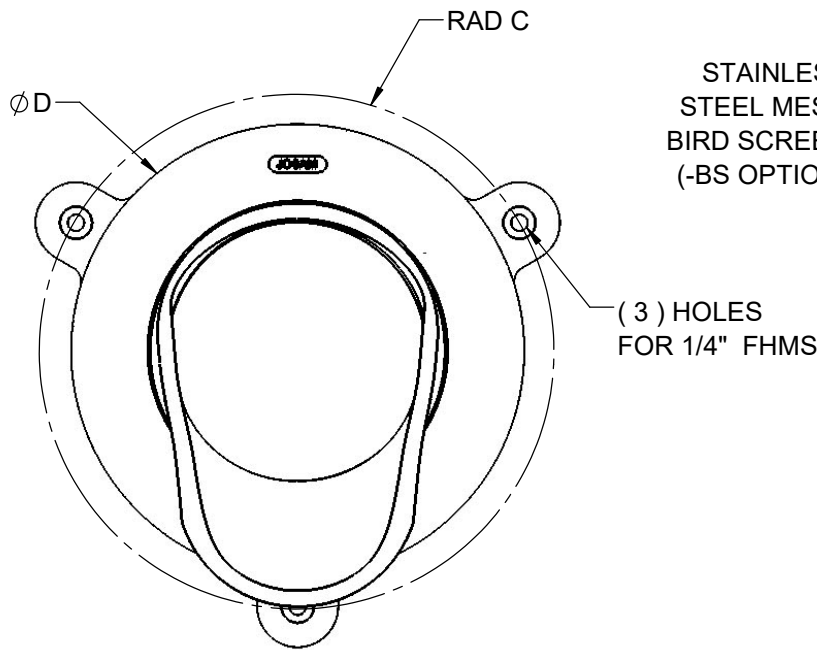
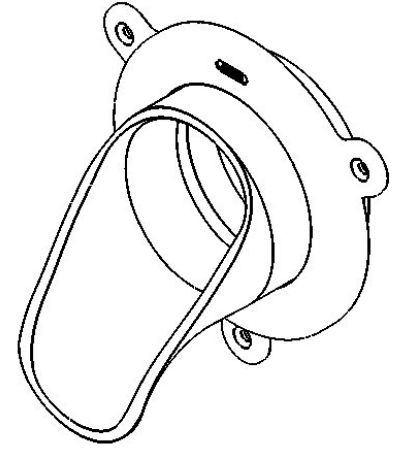
SPECIFICATION:

JOSAM 25010-T SERIES CAST BRONZE DOWNSPOUT NOZZLE, LOOSE WALL FLANGE AND INLET THREADED CONNECTION.

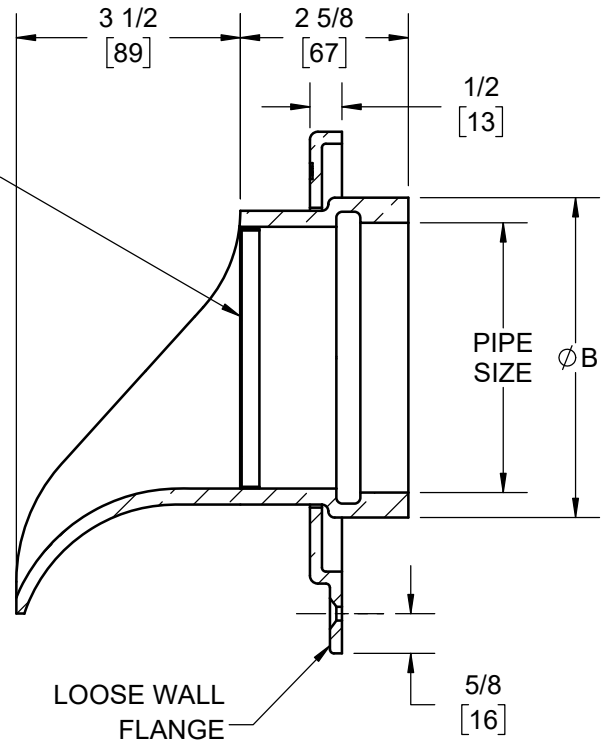
**ROOF DRAIN
DOWNSPOUT NOZZLE**

SERIES **25010-T**

	TYPE	PIPE SIZE	B	C	D
	25012-T	2"*	4	3 3/8	6
	25013-T	3"	4	3 3/8	6
	25014-T	4"	5	3 7/8	7
	25015-T	5"*	7 1/2	4 7/8	9
	25016-T	6"	7 1/2	4 7/8	9
	25018-T	8"	9 5/8	5 7/8	11
	25019-T	10"	11 1/4	6 3/4	12 3/4



STAINLESS STEEL MESH BIRD SCREEN (-BS OPTION)



-24	ROUGH NIKALOY (NICKEL-BRONZE)
-51	SATIN FINISH BRONZE
-BS	BIRD SCREEN
-PVC	CONNECTS TO PVC PIPE
-Z	NO-HUB OUTLET

● SEPARATE SUBMITTALS FOR THIS OPTION AVAILABLE

*FOR 2" SIZE. FURNISHED WITH 3" BODY AND 3" X 2" ADAPTER
*FOR 5" SIZE. FURNISHED WITH 6" BODY AND 6" X 5" ADAPTER

FOR ADA COMPLIANCE, PLAN CONNECTION WITH PIPE SO NOZZLE PROTRUDES MAXIMUM 4" FROM WALL

DATE OF LAST CHANGE: 01/19/23 BT

DIMENSIONS ARE SUBJECT TO MANUFACTURERS TOLERANCES AND CHANGE WITHOUT NOTICE. WE CAN ASSUME NO RESPONSIBILITY FOR USE OF SUPERSEDED OR VOID DATA.

JOSAM

MICHIGAN CITY, INDIANA

NOTES