

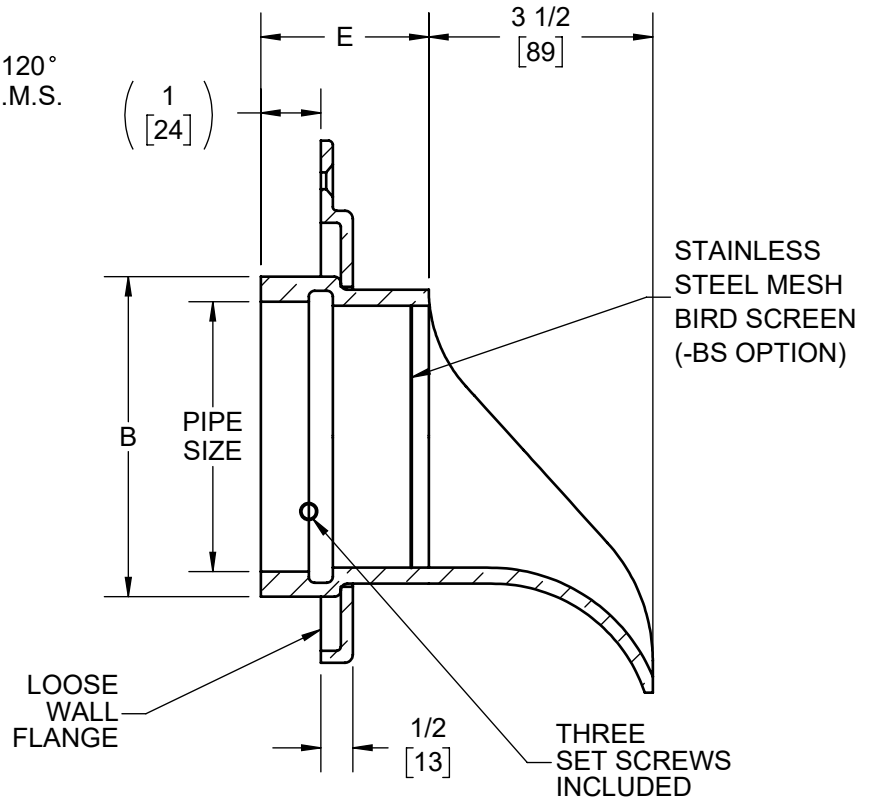
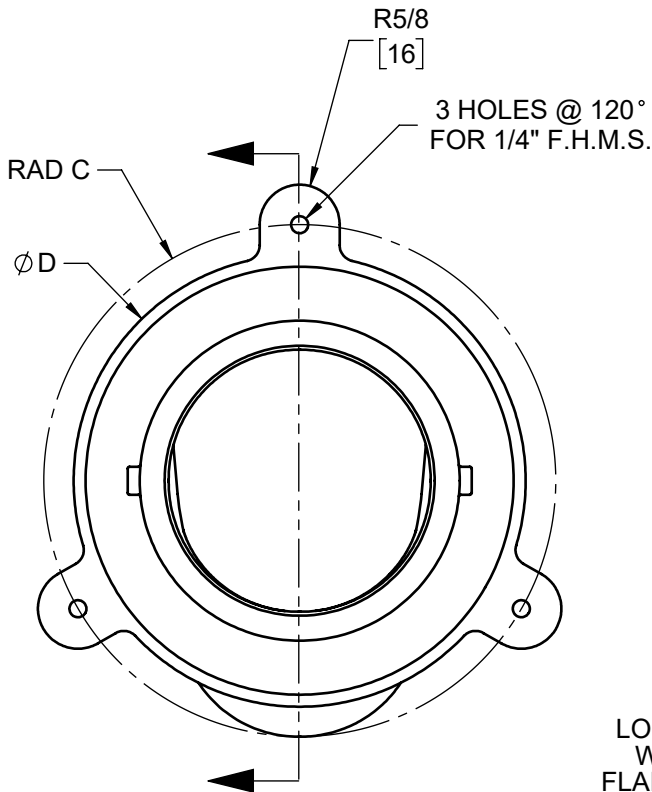
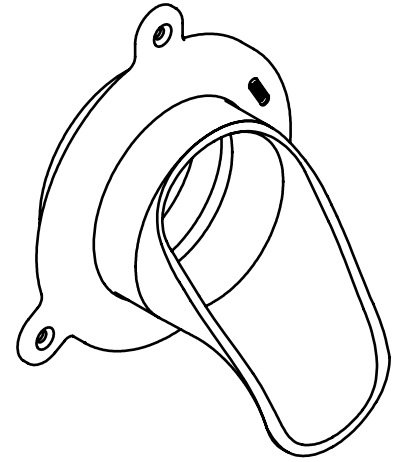
SPECIFICATION:

JOSAM 25010-PVC SERIES CAST BRONZE DOWNSPOUT NOZZLE, LOOSE WALL FLANGE AND INLET CONNECTION WITH THREE SET SCREWS. CONNECTS TO PVC PIPE.

**ROOF DRAIN
DOWNSPOUT NOZZLE**

SERIES **25010-PVC**

	TYPE	PIPE SIZE	B	C	D	E
	25012-PVC	2*	4	3-3/8	6	2-5/8
	25013-PVC	3	4	3-3/8	6	2-5/8
	25014-PVC	4	5	3-7/8	7	2-5/8
	25015-PVC	5*	7-1/2	4-7/8	9	2-5/8
	25016-PVC	6	7-1/2	4-7/8	9	2-5/8
	25018-PVC	8	9-5/8	5-7/8	11	2-5/8
	25019-PVC	10	11-1/4	6-3/4	12-3/4	2-5/8



-24	ROUGH NIKALOY
-51	SATIN FINISH BRONZE
-BS	BIRD SCREEN

* FOR 2" SIZE, FURNISHED WITH 3" BODY WITH 3" X 2"
FOR 5" SIZE, FURNISHED WITH 6" BODY WITH 6" X 5"

FOR ADA COMPLIANCE, PLAN CONNECTION TO PIPE SO NOZZLE EXTENDS BEYOND BUILDING WALL BY MAX. 4"

DATE OF LAST CHANGE: 01/18/23 BDT

DIMENSIONS ARE SUBJECT TO MANUFACTURERS TOLERANCES AND CHANGE WITHOUT NOTICE. WE CAN ASSUME NO RESPONSIBILITY FOR USE OF SUPERSEDED OR VOID DATA.

JOSAM
MICHIGAN CITY, INDIANA

NOTES