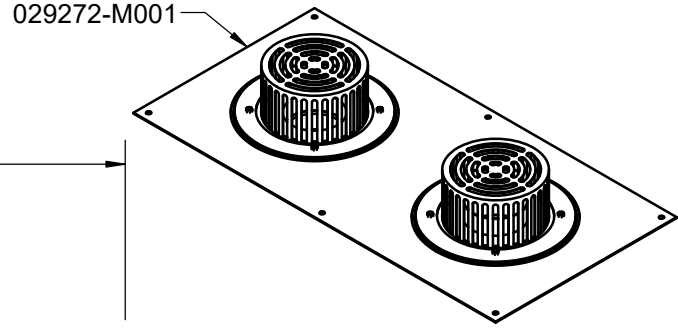
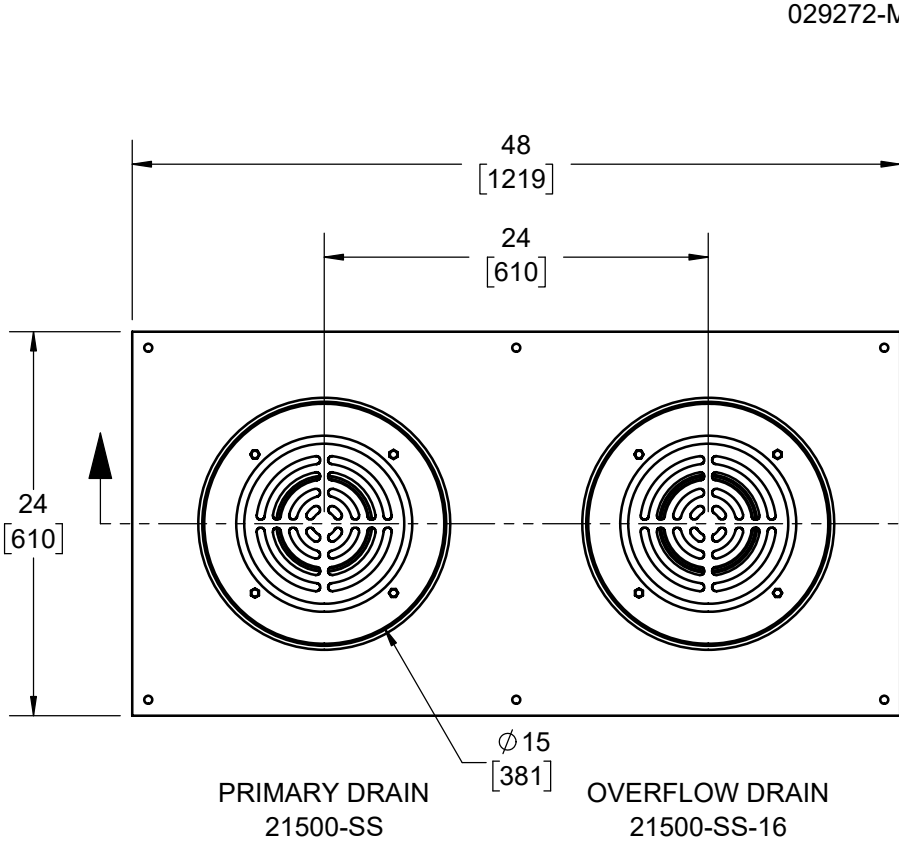


**SPECIFICATION:**

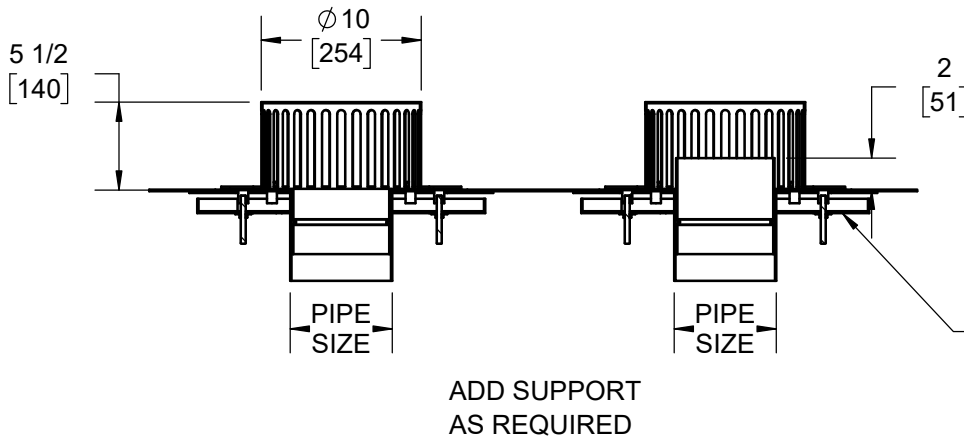
JOSAM SERIES 22500-SS STAINLESS STEEL COMBINATION ROOF DRAIN WITH STAINLESS STEEL REMOVABLE DOMES, COMBINATION DRAIN RECEIVER, AND NO-HUB BOTTOM OULETS.

**STAINLESS STEEL  
COMBINATION ROOF DRAIN**

SERIES **22500-SS**



PIPE SIZE
2"
3"
4"
6"
8"



CHECK HERE FOR OPTONAL 3" HT.

3" OVERFLOW HEIGHT

**OPTIONS:**

-1	UNDERDECK CLAMPS
-33	STAINLESS STEEL MESH COVERED DOMES
-VP	SECURED DOMES
-BW	BUTT-WELD OUTLET
-PF	OUTLET SIZE FOR JOSAM PUSH-FIT PIPE SYSTEM
-316	316L TYPE MATERIAL

WARNING: Cancer and Reproductive Harm - www.P65Warnings.ca.gov

DATE OF LAST CHANGE: 01/31/25 BLK

DIMENSIONS ARE SUBJECT TO MANUFACTURERS TOLERANCES AND CHANGE WITHOUT NOTICE. WE CAN ASSUME NO RESPONSIBILITY FOR USE OF SUPERSEDED OR VOID DATA.

**JOSAM**  
MICHIGAN CITY, INDIANA

NOTES