

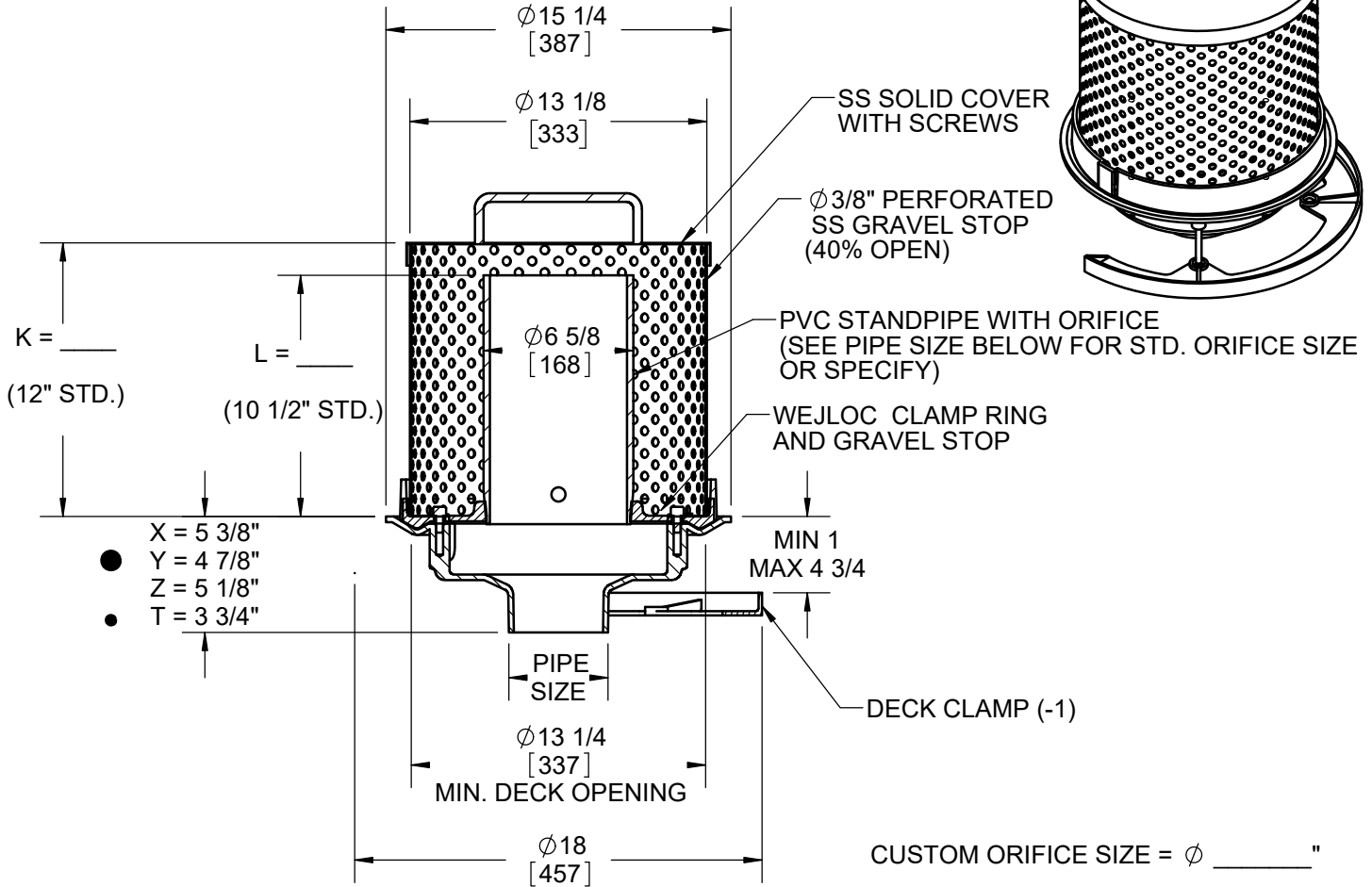
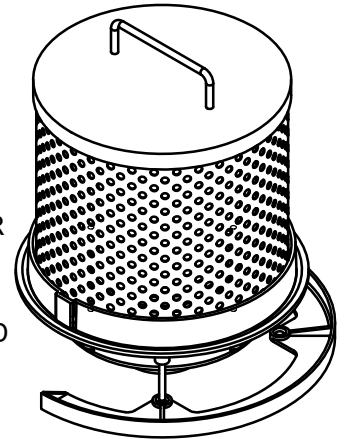
SPECIFICATION:

JOSAM SERIES 21500-ORDG1 COATED CAST IRON DRAIN BODY AND CLAMP RING WITH STAINLESS STEEL GRAVEL STOP AND SECURED COVER AND PVC STANDPIPE WITH ORIFICE

**ROOF DRAIN
GREEN ROOF**

SERIES 21500-ORDG1

- THIS DIMENSION IS 5-3/4" FOR 21508-T
- GASKET ON -Y CONNECTION CONFORMS WITH ASTM-C564



				-AE	THREADED LEVELZE ADJ. EXT.
	2"	PIPE SIZE (ORIFICE = Ø 5/8")		-AER	ADJ. EXT. USING THREADED RODS
	3"	PIPE SIZE (ORIFICE = Ø 5/8")		-PC	PERFORATED COVER
	4"	PIPE SIZE (ORIFICE = Ø 5/8")		-LO	LESS ORIFICE IN STANDPIPE
	5"	PIPE SIZE (ORIFICE = Ø 1")		-1	DECK CLAMP ASY.
	6"	PIPE SIZE (ORIFICE = Ø 1")		-2	DRAIN RECEIVER
	8"	PIPE SIZE (ORIFICE = Ø 1")		-3	DECK CLAMP ASY. AND DRAIN RECEIVER
	10"	PIPE SIZE (NO-HUB ONLY) (ORIFICE = Ø 1")		-3C	DRAIN RECEIVER AND DRAIN RECEIVER CLIPS
				-4	SECONDARY FLASHING CLAMP (-AE ONLY)
	-X	INSIDE CAULK OUTLET		-6	EXTRA WIDE FLANGE DRAIN BODY (-X OUTLET ONLY)
	-Y	HUB OUTLET W/GASKET (2", 3" & 4" SIZES ONLY)		-10	FIXED EXT. COLLAR, CAST IRON (SPECIFY HT. OR 4" STD.)
	-Z	NO-HUB SPIGOT OUTLET		-10-20	FIXED EXT. COLLAR, GALV. (SPECIFY HT. OR 4" STD.)
	-T	THREADED OUTLET		-17*	2" HIGH SOLID CLAMPING COLLAR - *STANDPIPE NOT AVAILBLE*
	-22	CAST IRON DOME		-20	GALV. CAST IRON PARTS
	-22-21	GALV. CAST IRON DOME ONLY		-66	NO-HUB SIDE OUTLET (2" THRU 6" OUTLETS ONLY)

WARNING: Cancer and Reproductive Harm - www.P65Warnings.ca.gov

DATE OF LAST CHANGE: 03/11/22
 DIMENSIONS ARE SUBJECT TO MANUFACTURERS TOLERANCES AND CHANGE WITHOUT NOTICE. WE CAN ASSUME NO RESPONSIBILITY FOR USE OF SUPERSEDED OR VOID DATA.



NOTES