

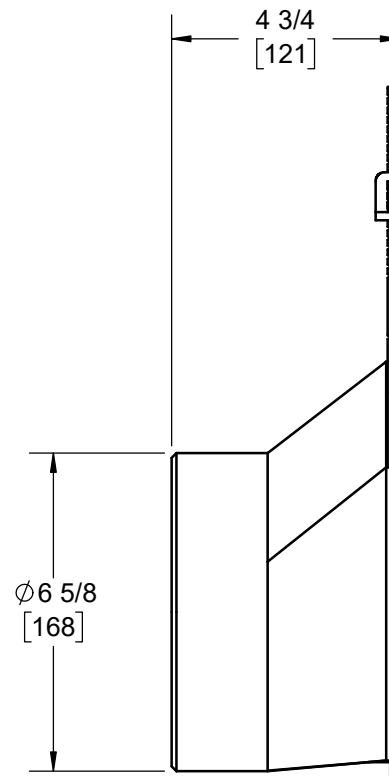
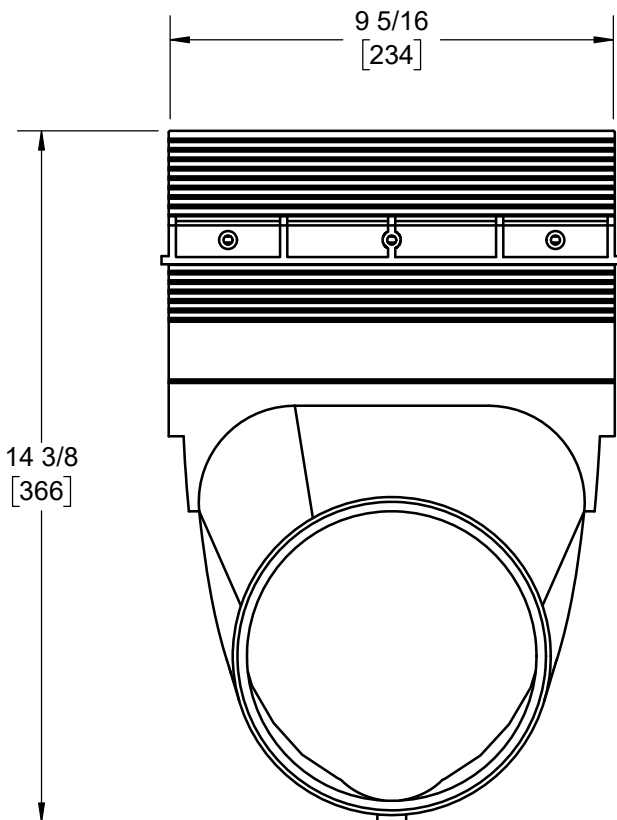
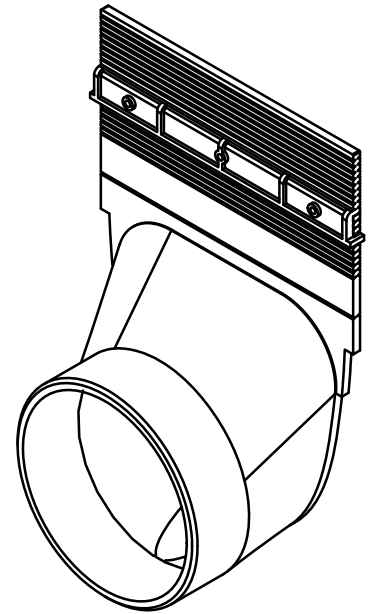
SPECIFICATION:

JOSAM 200-OE6XL20 END OUTLET FOR 200 SIZE 6" INTERNAL WIDTH TRENCH CHANNELS. MADE WITH PVC MATERIAL AND DESIGNED TO SECURELY FIT INTO FEMALE END OF CHANNEL AND 200-BSW BRACKET. CONNECTS TO STANDARD 6" PVC FITTINGS. RATED TO 140° F.

(FOR USE WITH 11-20 CHANNELS)

PRO-PLUS
END OUTLET 6" 200C

PART NO. **200-OE6XL20**



-HT HIGH TEMPERATURE CPVC MATERIAL RATED TO 212° F

WARNING: Cancer and Reproductive Harm - www.P65Warnings.ca.gov

DATE OF LAST CHANGE: 05/26/21

DIMENSIONS ARE SUBJECT TO MANUFACTURERS TOLERANCES AND CHANGE WITHOUT NOTICE. WE CAN ASSUME NO RESPONSIBILITY FOR USE OF SUPERSEDED OR VOID DATA.

JOSAM
MICHIGAN CITY, INDIANA

NOTES