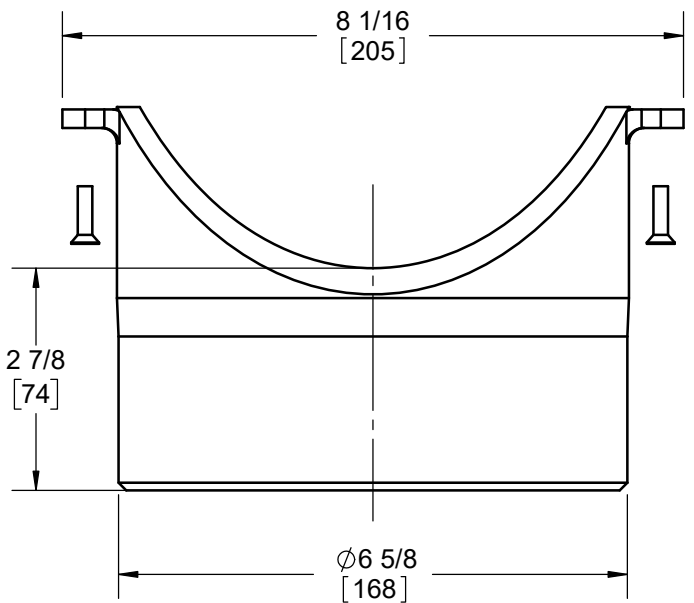
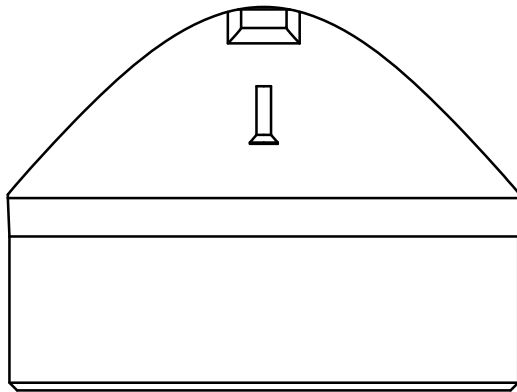
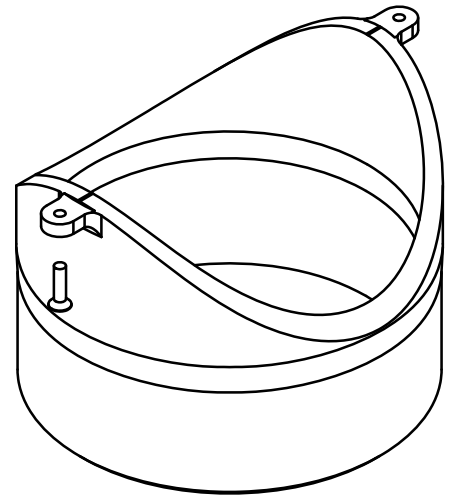
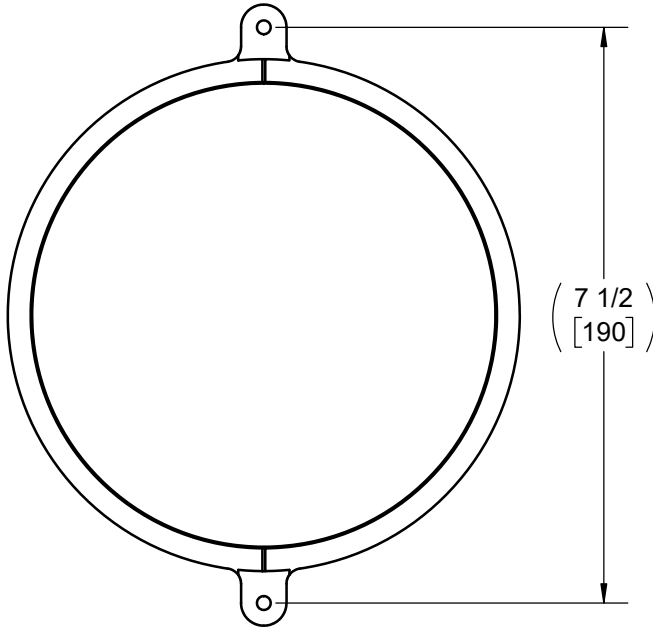


**SPECIFICATION:**

JOSAM 200-OB6 BOTTOM OUTLET FOR 200C 8" INTERNAL WIDTH TRENCH CHANNELS. MADE WITH PVC MATERIAL DESIGNED TO FIT BOTTOM OF 200C CHANNEL WITH 2 SCREWS (SUPPLIED) AND CONNECT WITH STANDARD 6" PVC FITTINGS. RATED TO 140 ° F.

**PRO-PLUS**  
**BOTTOM OUTLET 6" 200C**  
 SERIES/PART NO  
**200-OB6**



|  |     |   |
|--|-----|---|
|  | -HT | HIGH TEMPERATURE CPVC MATERIAL RATED TO 212 ° F |
|--|-----|---|

WARNING: Cancer and Reproductive Harm - www.P65Warnings.ca.gov

DATE OF LAST CHANGE: 11/03/22 | BLK

DIMENSIONS ARE SUBJECT TO MANUFACTURERS TOLERANCES AND CHANGE WITHOUT NOTICE. WE CAN ASSUME NO RESPONSIBILITY FOR USE OF SUPERSEDED OR VOID DATA.

**JOSAM**  
 MICHIGAN CITY, INDIANA

NOTES