

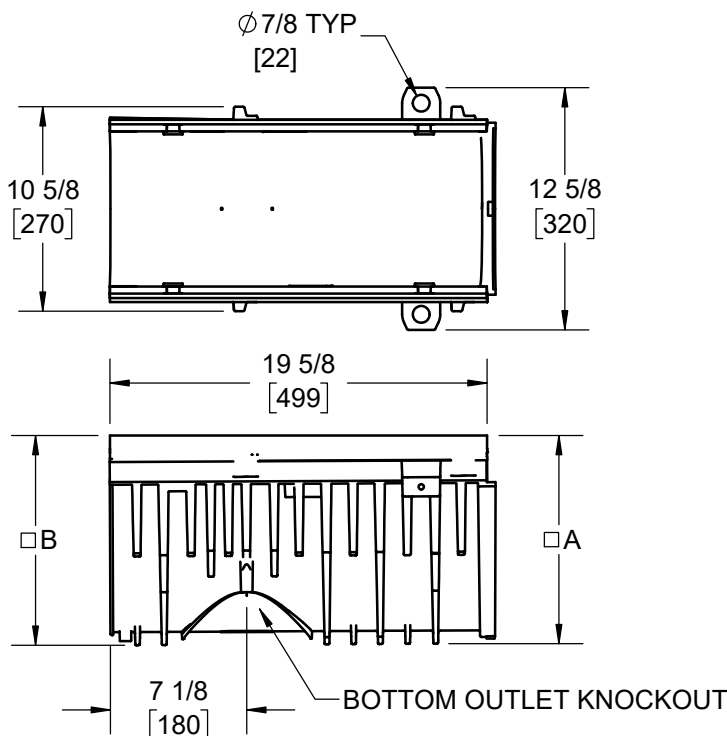
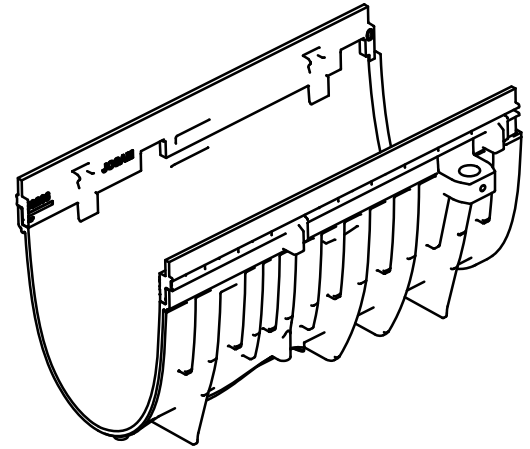
SPECIFICATION:

JOSAM 200C SERIES HALF METER CHANNELS SHALL BE 19.7" (500) LONG WITH 8" (203) INTERNAL WIDTH WITH RADIUSED BOTTOM. INTERCONNECTING CHANNEL SECTIONS SHALL BE MADE OF SMC/GRP (SHEET MOLDING COMPOUND/GLASS REINFORCED POLYESTER) MATERIAL AND AVAILABLE WITH AND WITHOUT SLOPE. CHANNEL SUPPORT BRACKETS CAPABLE OF ACCEPTING RE-BAR, END OUTLETS, BOTTOM OUTLETS, ENDCAPS, AND CORNER/T CONNECTORS SHALL BE AVAILABLE. GRATE OPTIONS FOR LOADING CLASSES A-E WITH PRESSURE OR LOCKING BOLT SECURING DEVICES AND DUCTILE IRON RAIL TO PROTECT CHANNEL EDGES SHALL BE AVAILABLE.

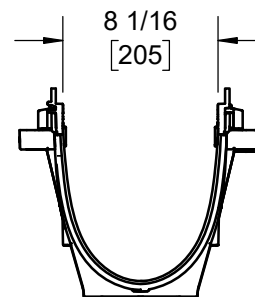
**PRO-PLUS
8" INTERNAL WIDTH**

SERIES 200CXX-11

PART NUMBER	DIM. "A"	DIM. "B"	WEIGHT (LBS)
200C-11	9.5	9.5	6.6
200C01-11	10.8	10.9	8.5
200C02-11	11.0	11.1	8.7
200C03-11	11.2	11.3	8.8
200C04-11	11.4	11.5	9.0
200C05-11	11.6	11.7	9.1
200C05N-11	11.8	11.8	9.1
200C06-11	11.8	11.9	9.2
200C07-11	12.0	12.1	9.4
200C08-11	12.2	12.3	9.5
200C09-11	12.4	12.5	9.6
200C10-11	12.6	12.7	9.7
200C11-11	12.8	12.9	10.9
200C12-11	13.0	13.1	11.0
200C13-11	13.2	13.3	11.2
200C14-11	13.4	13.5	11.3
200C15-11	13.6	13.7	11.4
200C15N-11	13.8	13.8	11.5
200C16-11	13.8	13.9	11.6
200C17-11	14.0	14.1	11.7
200C18-11	14.2	14.3	11.8
200C19-11	14.4	14.5	11.9
200C20-11	14.6	14.7	12.0



□ NOTE: ADD 1.2" WHEN FURNISHED WITH DI FRAME 152442



U.S. Patent No. 7,736,092

WARNING: Cancer and Reproductive Harm - www.P65Warnings.ca.gov

DATE OF LAST CHANGE: 9/03/19

DIMENSIONS ARE SUBJECT TO MANUFACTURERS TOLERANCES AND CHANGE WITHOUT NOTICE. WE CAN ASSUME NO RESPONSIBILITY FOR USE OF SUPERSEDED OR VOID DATA.

JOSAM
MICHIGAN CITY, INDIANA

NOTES