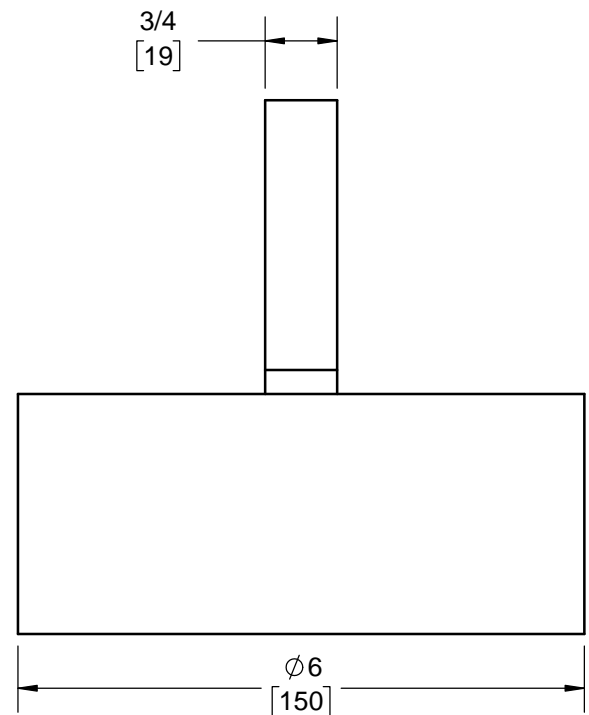
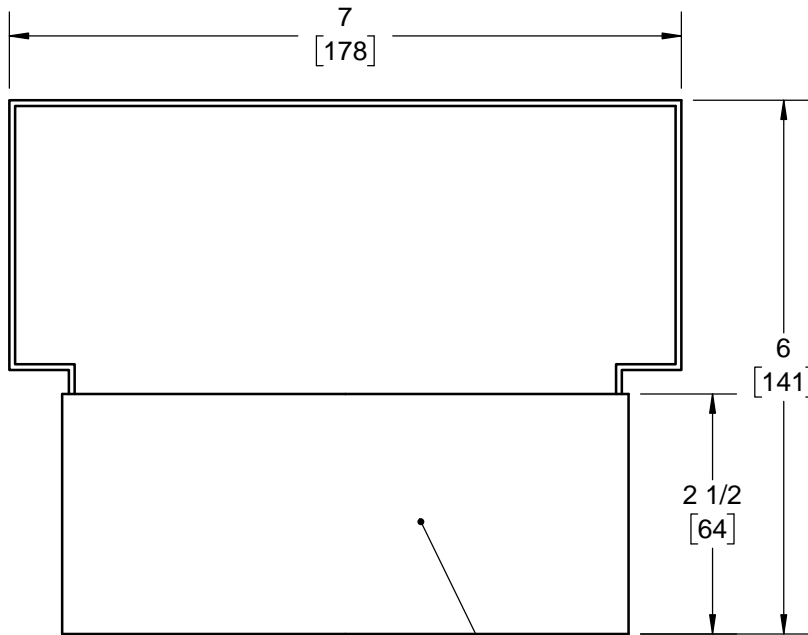
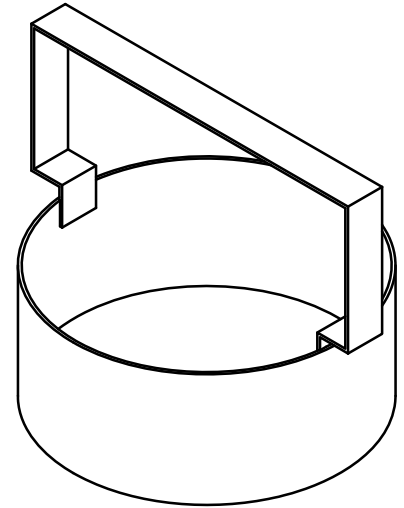
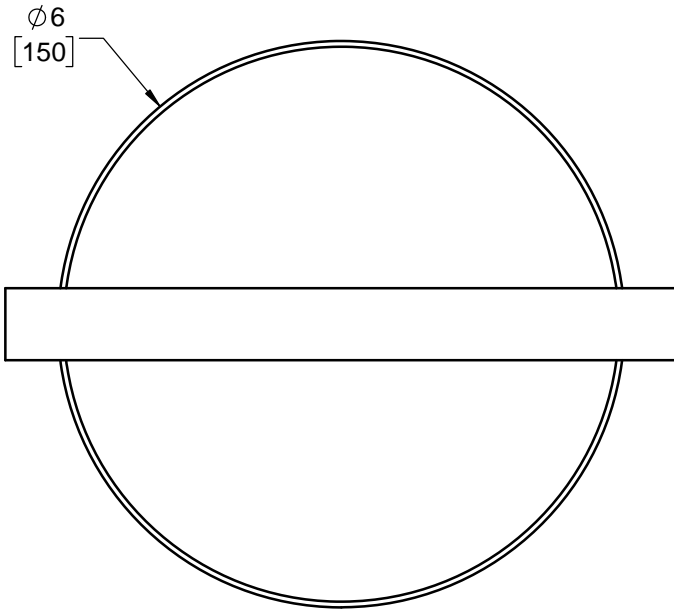


SPECIFICATION:

STRAINER TO FIT INSIDE OF BOTTOM OUTLET PART 200-OB6 AND 200-OB4. CONSTRUCTED OF 304 STAINLESS STEEL. CATCHES 1/8" DIAMETER AND LARGER PARTICLES.

**BOTTOM OUTLET STRAINER
PRO-PLUS**

SERIES **200-BOS**



PERFORATED
OR OPTIONAL
SOLID BOTTOM

PERFORATED 304
STAINLESS STEEL
1/8" OPENINGS
STAGGERED HOLES
40% OPEN AREA

	OPTION:
	SOLID BOTTOM

WARNING: Cancer and Reproductive Harm - www.P65Warnings.ca.gov

DATE OF LAST CHANGE: 6/04/18

DIMENSIONS ARE SUBJECT TO MANUFACTURERS TOLERANCES AND CHANGE WITHOUT NOTICE. WE CAN ASSUME NO RESPONSIBILITY FOR USE OF SUPERSEDED OR VOID DATA.

JOSAM
MICHIGAN CITY, INDIANA

NOTES