

SPECIFICATION:

MEA-JOSAM 152308 GALVANIZED STEEL MESH GRATE WITH CLIPFIX SECURING FEATURE. DESIGNED TO FIT 100 AND 1000 SERIES CHANNELS. MEETS CLASS B LOADING REQUIREMENTS (26,100 LBS - 580 PSI)

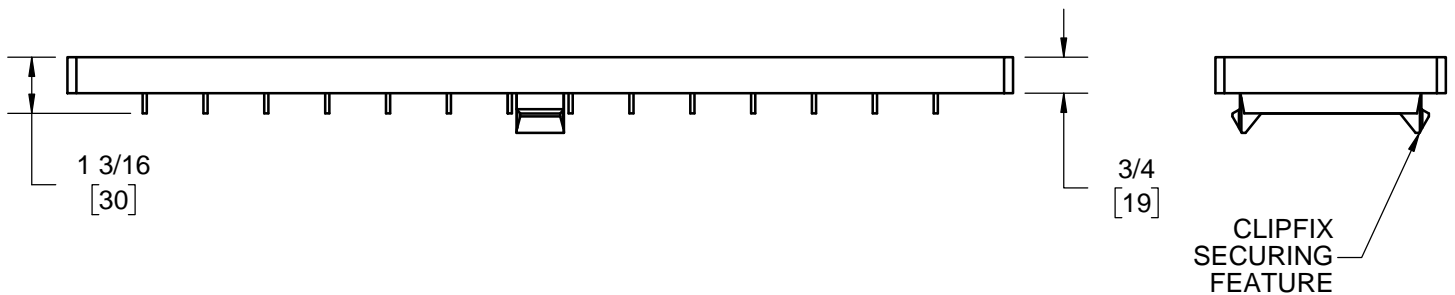
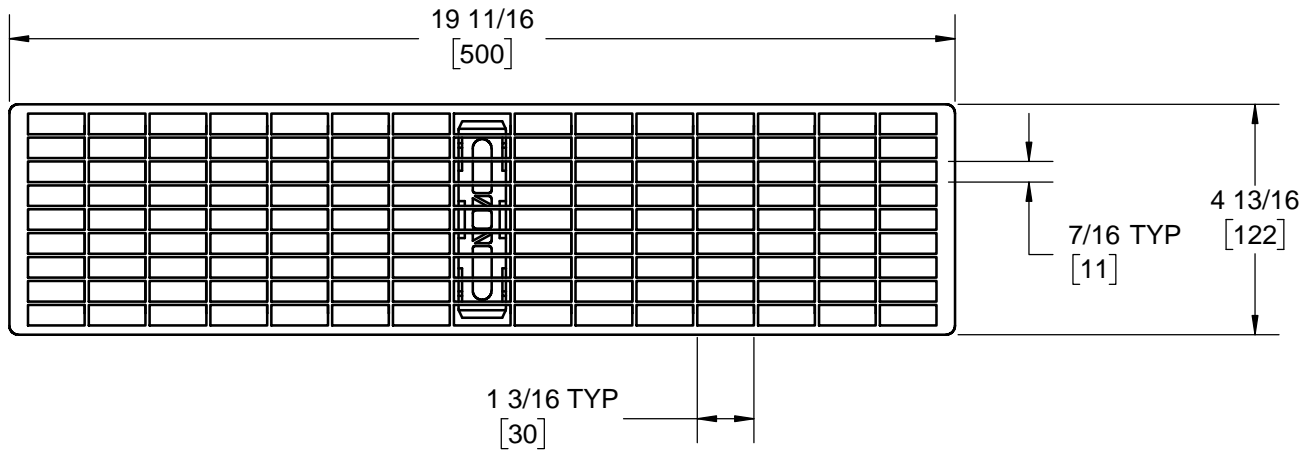
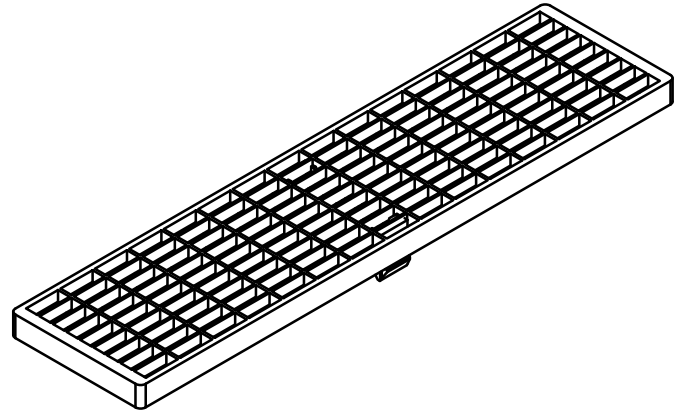
TRENCHGRATE

MEA-JOSAM

SERIES

152308

FREE AREA: 61.2 SQ. IN.



WARNING: Cancer and Reproductive Harm - www.P65Warnings.ca.gov

DATE OF LAST CHANGE: 6/12/18

DIMENSIONS ARE SUBJECT TO MANUFACTURERS TOLERANCES AND CHANGE WITHOUT NOTICE. WE CAN ASSUME NO RESPONSIBILITY FOR USE OF SUPERSEDED OR VOID DATA.

JOSAM
MICHIGAN CITY, INDIANA

NOTES