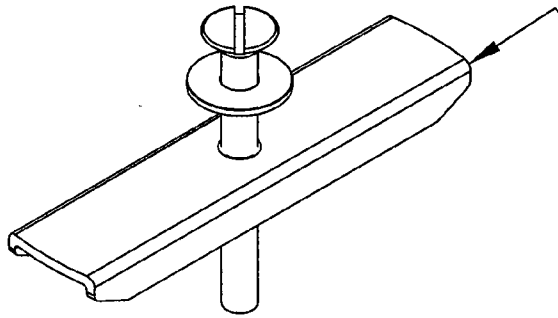
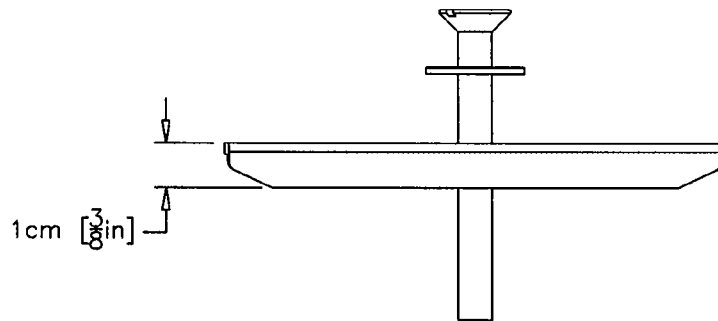
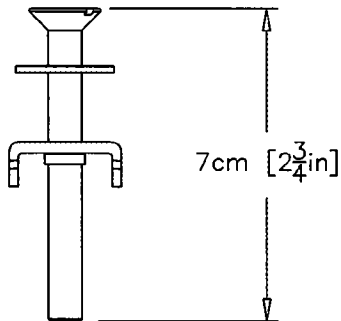
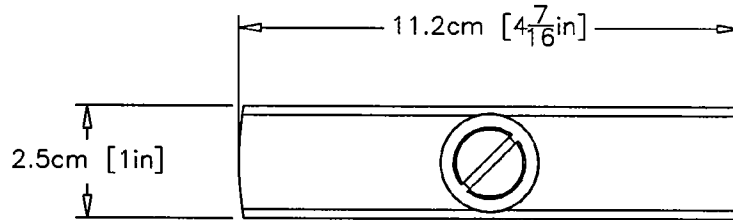


SPECIFICATION:
 MEA-JOSAM 1000 SERIES SLOT HEAD LOCK DEVICE

MEA
 LOCK DEVICE
 SERIES 1000



MATERIAL	PART NO.
STAINLESS	152531
GALVANIZED	152311
MEARIN	141465



1/25/01, 1/13/04

DATE: 9/27/00

DIMENSIONS ARE SUBJECT TO MANUFACTURER'S TOLERANCES AND CHANGE WITHOUT NOTICE.
 WE CAN ASSUME NO RESPONSIBILITY FOR USE OF SUPERSEDED OF VOID DATA.

DRAWING NO.

A-15265-K

MEA-JOSAM
 MICHIGAN CITY, INDIANA

NOTES: