

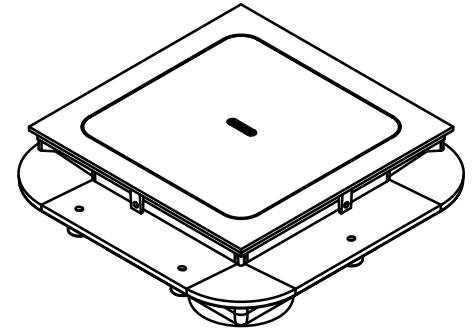
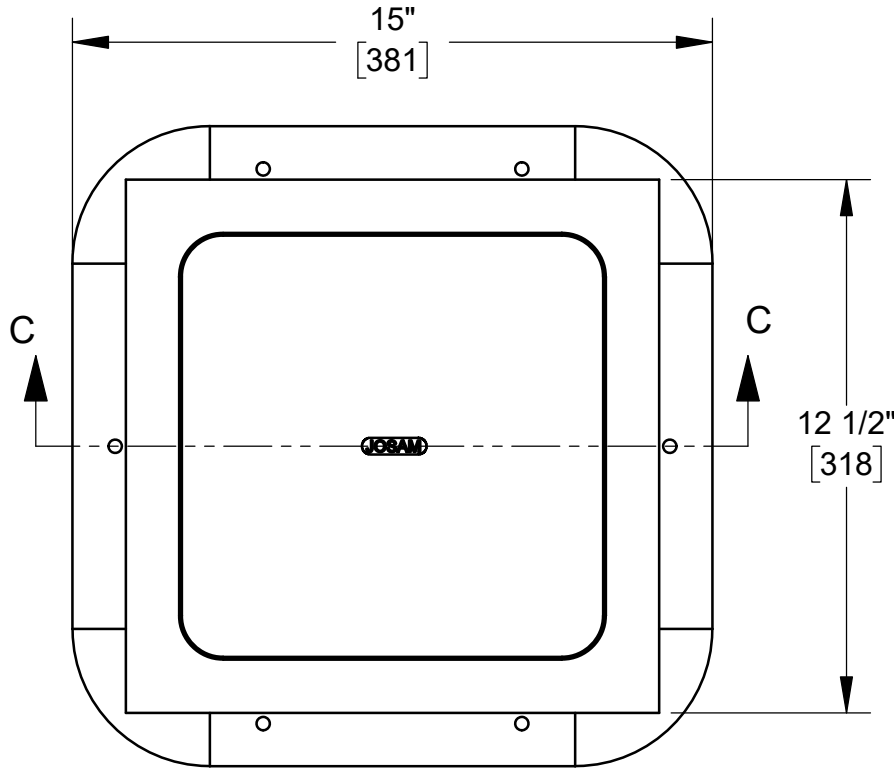
SPECIFICATION:

JOSAM SERIES 49320A-20 SQUARE CAST IRON 5-7/8" DEEP SUPER-FLO-SEPTOR FLOOR SINK WITH ACID RESISTING INTERIOR, DOUBLE DRAINAGE FLANGE WITH WEEPHOLES, BOTTOM OUTLET, ALUMINUM INTERNAL DOME STRAINER AND NIKALOY SOLID COVER TOP.

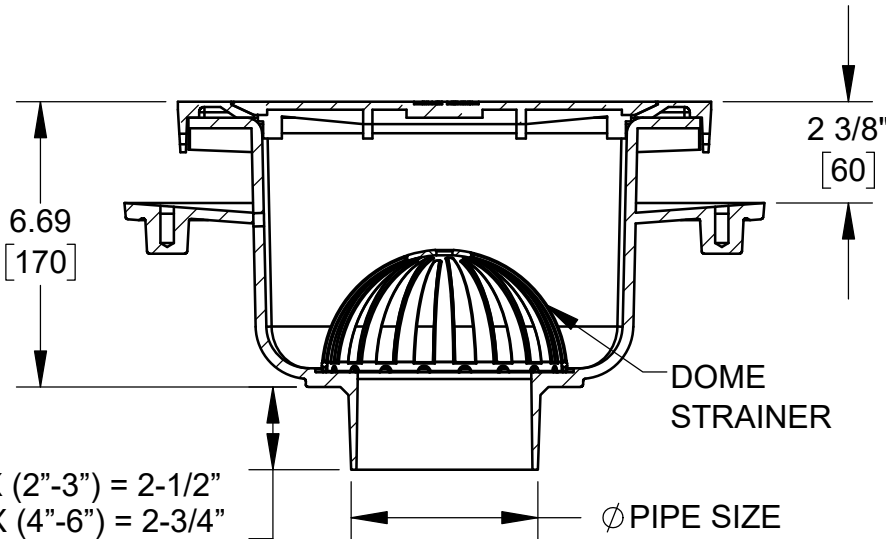
SANITARY FLOOR SINK

12" SQUARE TOP, 6" DEEP

SERIES **49320A-NB-20**

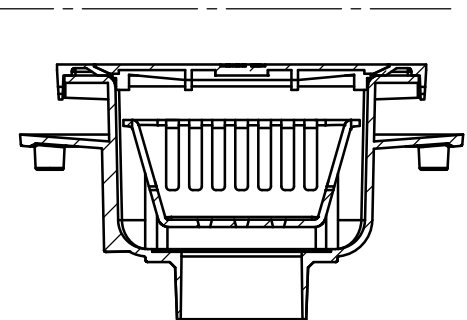


	PIPE SIZE
	2"
	3"
	4"
	6"



- X (2"-3") = 2-1/2"
- X (4"-6") = 2-3/4"
- Y (2"-4") = 2"
- Z (2"-4") = 2-1/16"

NOTE: STRAINER AND BUCKET CAN NOT BE USED SIMULTANEOUSLY



-31	ALUMINUM BUCKET
-33	ACID RESISTANT EPOXY BUCKET

WARNING: Cancer and Reproductive Harm - www.P65Warnings.ca.gov

DATE OF LAST CHANGE: 05/04/22

DIMENSIONS ARE SUBJECT TO MANUFACTURERS TOLERANCES AND CHANGE WITHOUT NOTICE. WE CAN ASSUME NO RESPONSIBILITY FOR USE OF SUPERSEDED OR VOID DATA.

JOSAM

MICHIGAN CITY, INDIANA

NOTES