

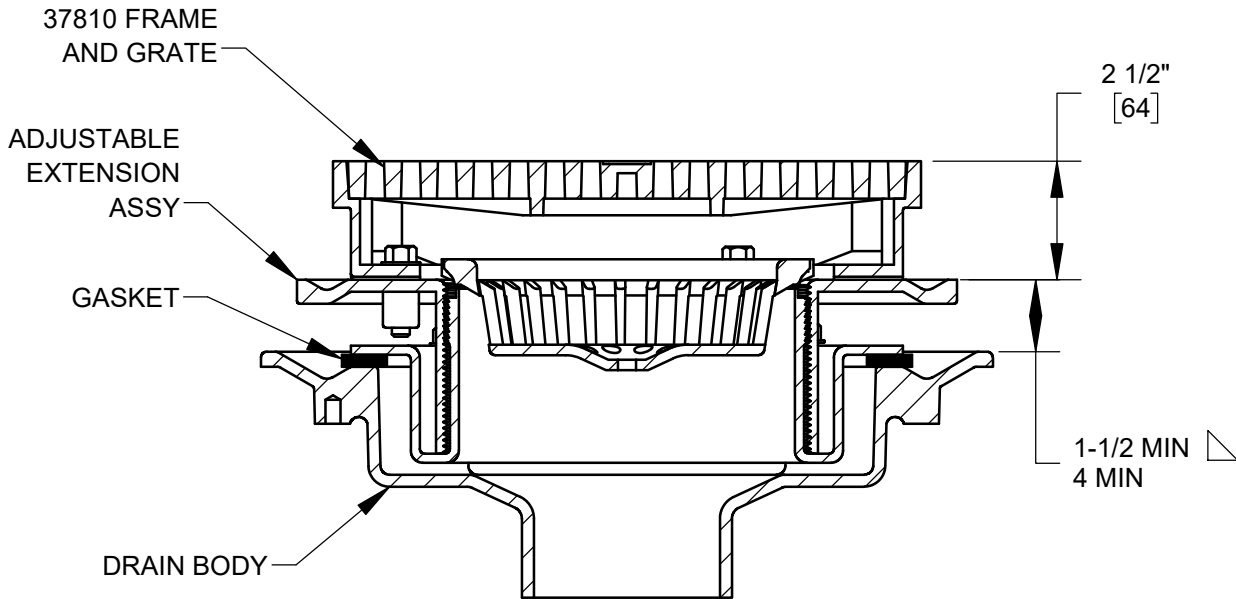
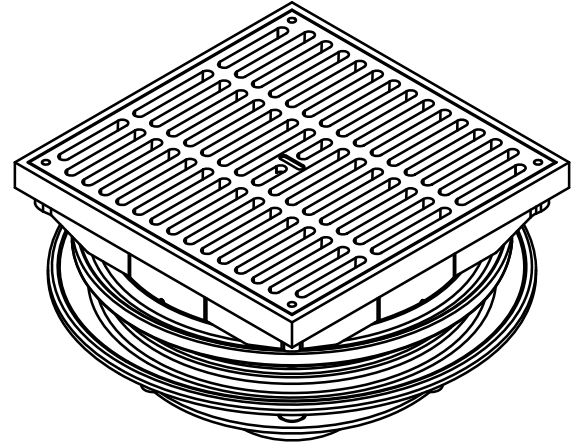
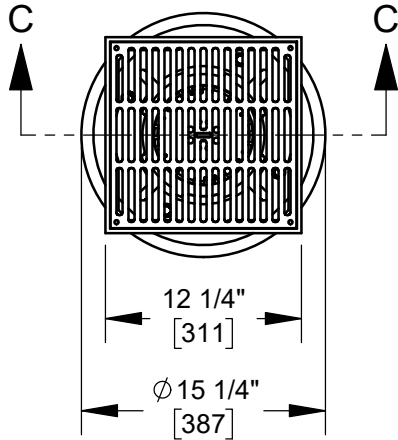
SPECIFICATION:

JOSAM 37810-AE SERIES COATED CAST IRON FLOOR DRAIN, MEDIUM-SUMP BODY, ADJUSTABLE EXTENSION, NON-PUNCTURING FLASHING FRAME, WEEPHOLES, BOTTOM OUTLET, SQUARE TOP WITH HEAVY-DUTY LOOSE-SET GRATE AND REMOVABLE SEDIMENT BUCKET.

FLOOR DRAIN
12" HEAVY-DUTY TOP,
ADJUSTABLE EXTENSION

SERIES **37810-AE**

SEE BASE PRODUCT SUBMITTAL 37810 FOR OTHER DETAILS, DIMENSIONS, AND OPTIONS



SECTION C-C
SCALE 1 : 4

- ADD 1/4" WHEN FURNISHED WITH BRONZE OR NIKALOY TOP
- △ 2-1/4" MIN - 4-1/4" MAX WHEN USED WITH (-4) SECONDARY CLAMP

WARNING: Cancer and Reproductive Harm - www.P65Warnings.ca.gov

DATE OF LAST CHANGE: 10/11/24 BLK

DIMENSIONS ARE SUBJECT TO MANUFACTURERS TOLERANCES AND CHANGE WITHOUT NOTICE. WE CAN ASSUME NO RESPONSIBILITY FOR USE OF SUPERSEDED OR VOID DATA.



NOTES