

SPECIFICATION:

JOSAM 21500-AE SERIES COATED CAST IRON LEVELEZE® ROOF DRAIN, LARGE POLYPROPYLENE LOCKING DOME, WEJLOC® NON-PUNCTURING CLAMP RING WITH INTEGRAL GRAVEL STOP, BOLTED SUPPORT RING, ADJUSTABLE TOP, LARGE SUMP WITH WIDE ROOF FLANGE AND BOTTOM OUTLET.

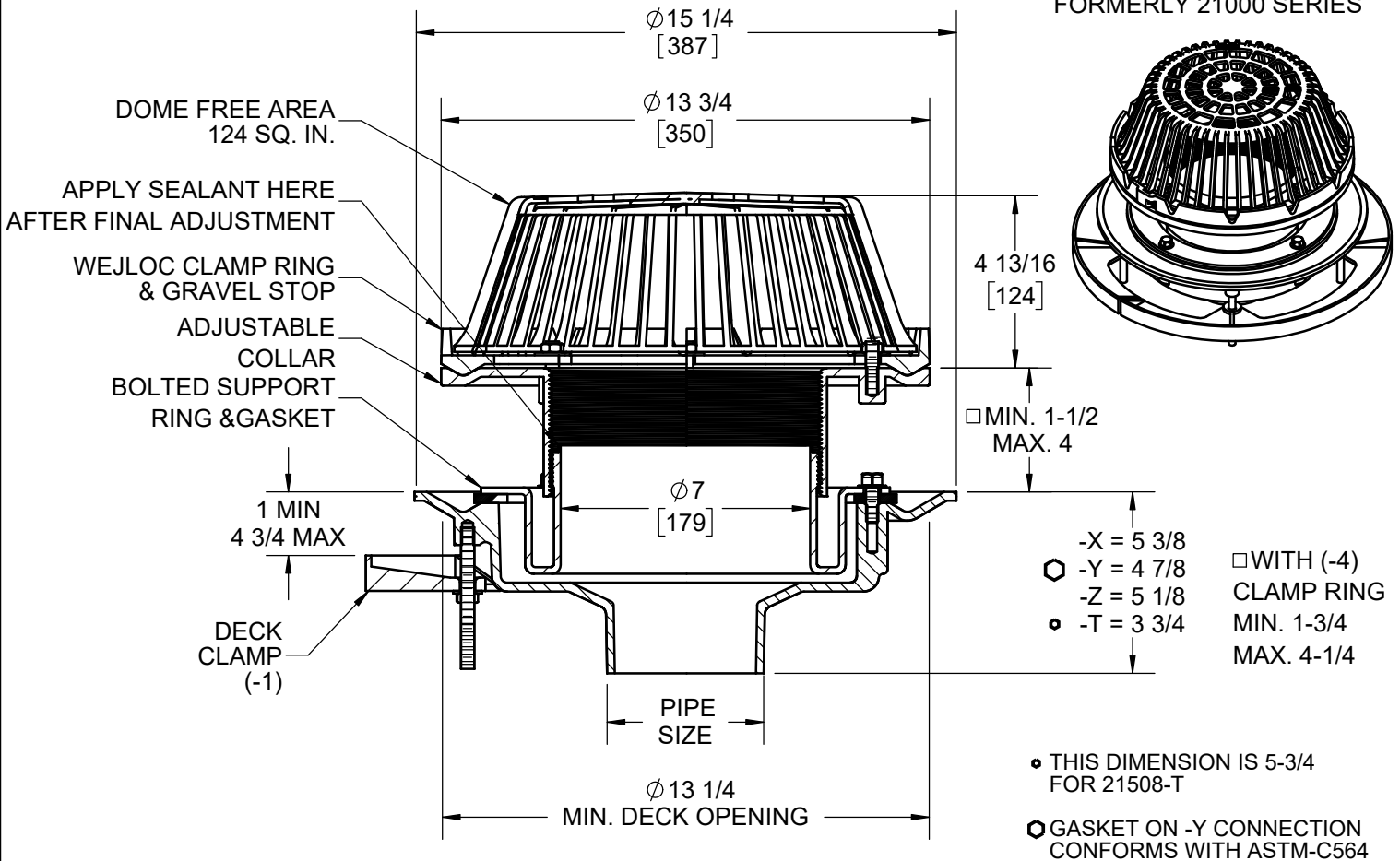
ROOF DRAIN

W/ LEVELEZE® ADJUSTABLE EXTENSION

SERIES

21500-AE

FORMERLY 21000 SERIES



	2"	PIPE SIZE
	3"	PIPE SIZE
	4"	PIPE SIZE
	5"	PIPE SIZE
	6"	PIPE SIZE
	8"	PIPE SIZE
	10"	PIPE SIZE (NO-HUB ONLY)
	-LCH	LONGER CLAMP RING HARDWARE, UP TO 2" (PN 030040)
X	-AE	THREADED LEVELEZE® ADJ. EXT.
	-CR	CLAMPING DRAIN RECEIVER (MIN. DECK OPENING $\phi 16"$)
	-VP	SECURED DOME
	-1	DECK CLAMP ASSEMBLY
	-1C	DRAIN RECEIVER CLIPS (MIN. DECK OPENING $\phi 16"$)
	-2	DRAIN RECEIVER
	-3	DECK CLAMP ASY. AND DRAIN RECEIVER
	-3C	DRAIN RECEIVER AND DRAIN RECEIVER CLIPS
	-4	SECONDARY FLASHING CLAMP (-AE ONLY)

	-6	EXTRA WIDE FLANGE DRAIN BODY (-X OUTLET ONLY)
	-10	FIXED EXT. COLLAR, CAST IRON. 4" STD. (SPECIFY HEIGHT)
	-10-20	FIXED EXT. COLLAR, GALVANIZED. 4" STD. (SPECIFY HEIGHT)
Δ	-16*	INTERNAL WATERGUARD (2" THRU 8" OUTLETS ONLY)
Δ	-17*	2" HIGH SOLID CLAMPING COLLAR
	-19	CLAMP COLLAR W/PERF. STAINLESS GRAVEL GUARD
	-20	GALVANIZED CAST IRON PARTS
	-22	CAST IRON DOME
	-22-21	GALVANIZED CAST IRON DOME ONLY
	-23	ROUGH BRONZE DOME
	-26	ALUMINUM DOME
	-33	STAINLESS STEEL MESH-COVERED DOME
	-66	NO-HUB SIDE OUTLET (2" THRU 6" OUTLETS ONLY)
	-T	THREADED OUTLET
	-X	INSIDE CAULK OUTLET
	-Y	HUB OUTLET W/GASKET (2", 3" & 4" SIZES ONLY)
	-Z	NO-HUB SPIGOT OUTLET

* -16 & -17 CANNOT BE FURNISHED TOGETHER

Δ SEPARATE SUBMITTAL FOR THIS OPTION AVAILABLE

DATE OF LAST CHANGE: 11/03/21

DIMENSIONS ARE SUBJECT TO MANUFACTURERS TOLERANCES AND CHANGE WITHOUT NOTICE. WE CAN ASSUME NO RESPONSIBILITY FOR USE OF SUPERSEDED OR VOID DATA.

JOSAM
MICHIGAN CITY, INDIANA

NOTES