

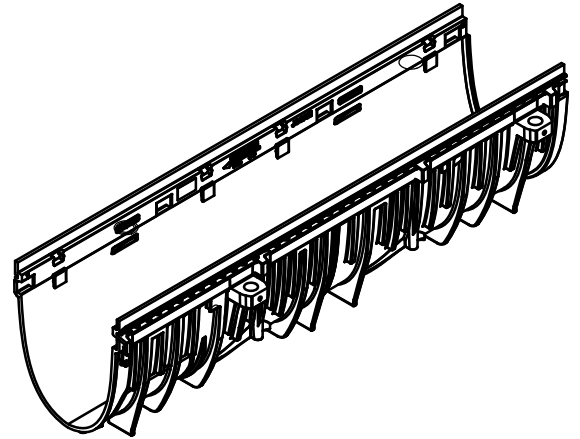
SPECIFICATION:

JOSAM 200C SERIES CHANNELS SHALL BE 39.4" (1000) LONG WITH 8" (203) INTERNAL WIDTH WITH RADIUSED BOTTOM. INTERCONNECTING CHANNEL SECTIONS SHALL BE MADE OF SMC/GRP (SHEET MOLDING COMPOUND/GLASS REINFORCED POLYESTER) MATERIAL AND AVAILABLE WITH AND WITHOUT SLOPE. CHANNEL SUPPORT BRACKETS CAPABLE OF ACCEPTING RE-BAR, END OUTLETS, BOTTOM OUTLETS, ENDCAPS, AND CORNER/T CONNECTORS SHALL BE AVAILABLE. GRATE OPTIONS FOR LOADING CLASSES A-E WITH PRESSURE OR LOCKING BOLT SECURING DEVICES AND DUCTILE IRON RAIL TO PROTECT CHANNEL EDGES SHALL BE AVAILABLE.

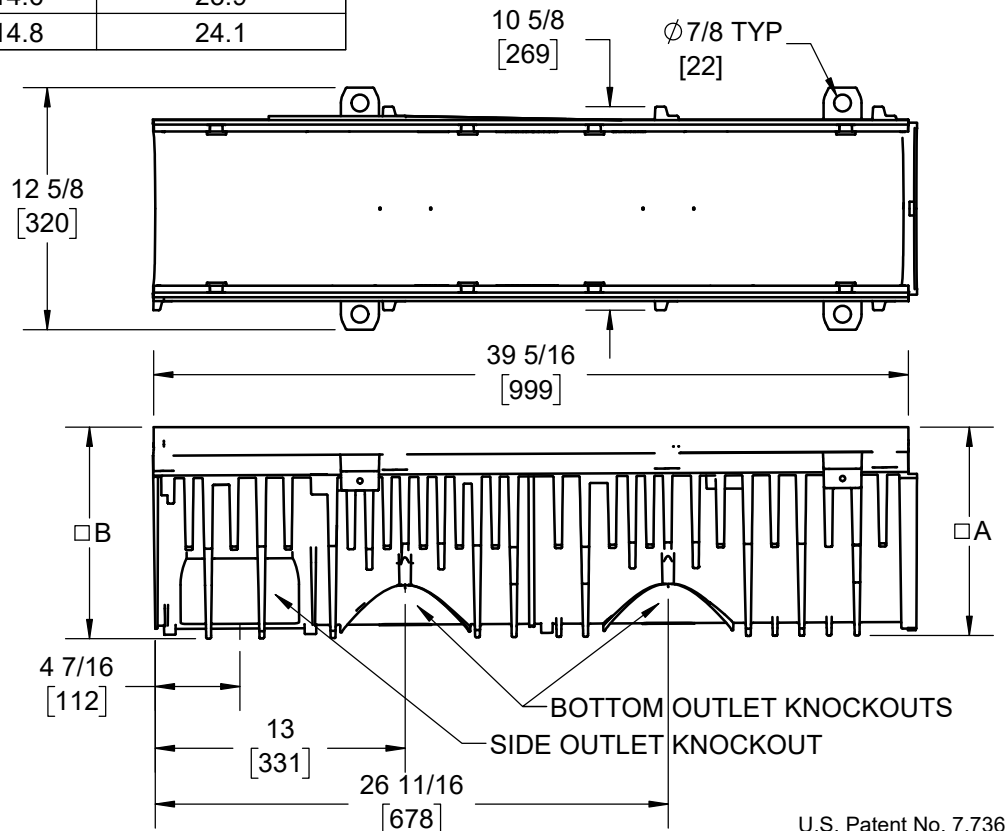
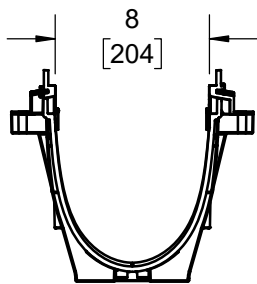
**PRO-PLUS
8" INTERNAL WIDTH**

SERIES 200C

PART NUMBER	DIM. "A"	DIM. "B"	WEIGHT (LBS)
200C	9.5	9.5	13.2
200C01	10.8	11.0	17.1
200C02	11.0	11.2	17.4
200C03	11.2	11.4	17.7
200C04	11.4	11.6	18.0
200C05	11.6	11.8	18.2
200C05N	11.8	11.8	18.3
200C06	11.8	12.0	18.4
200C07	12.0	12.2	18.8
200C08	12.2	12.4	19.0
200C09	12.4	12.6	19.2
200C10	12.6	12.8	19.4
200C11	12.8	13.0	21.8
200C12	13.0	13.2	22.1
200C13	13.2	13.4	22.4
200C14	13.4	13.6	22.7
200C15	13.6	13.8	22.9
200C15N	13.8	13.8	23.0
200C16	13.8	14.0	23.3
200C17	14.0	14.2	23.5
200C18	14.2	14.4	23.7
200C19	14.4	14.6	23.9
200C20	14.6	14.8	24.1



□ NOTE: ADD 1.2" WHEN FURNISHED WITH DI FRAME 152442



U.S. Patent No. 7,736,092

WARNING: Cancer and Reproductive Harm - www.P65Warnings.ca.gov

DATE OF LAST CHANGE: 05/04/22

DIMENSIONS ARE SUBJECT TO MANUFACTURERS TOLERANCES AND CHANGE WITHOUT NOTICE. WE CAN ASSUME NO RESPONSIBILITY FOR USE OF SUPERSEDED OR VOID DATA.

JOSAM
MICHIGAN CITY, INDIANA

NOTES