

**SPECIFICATION:**

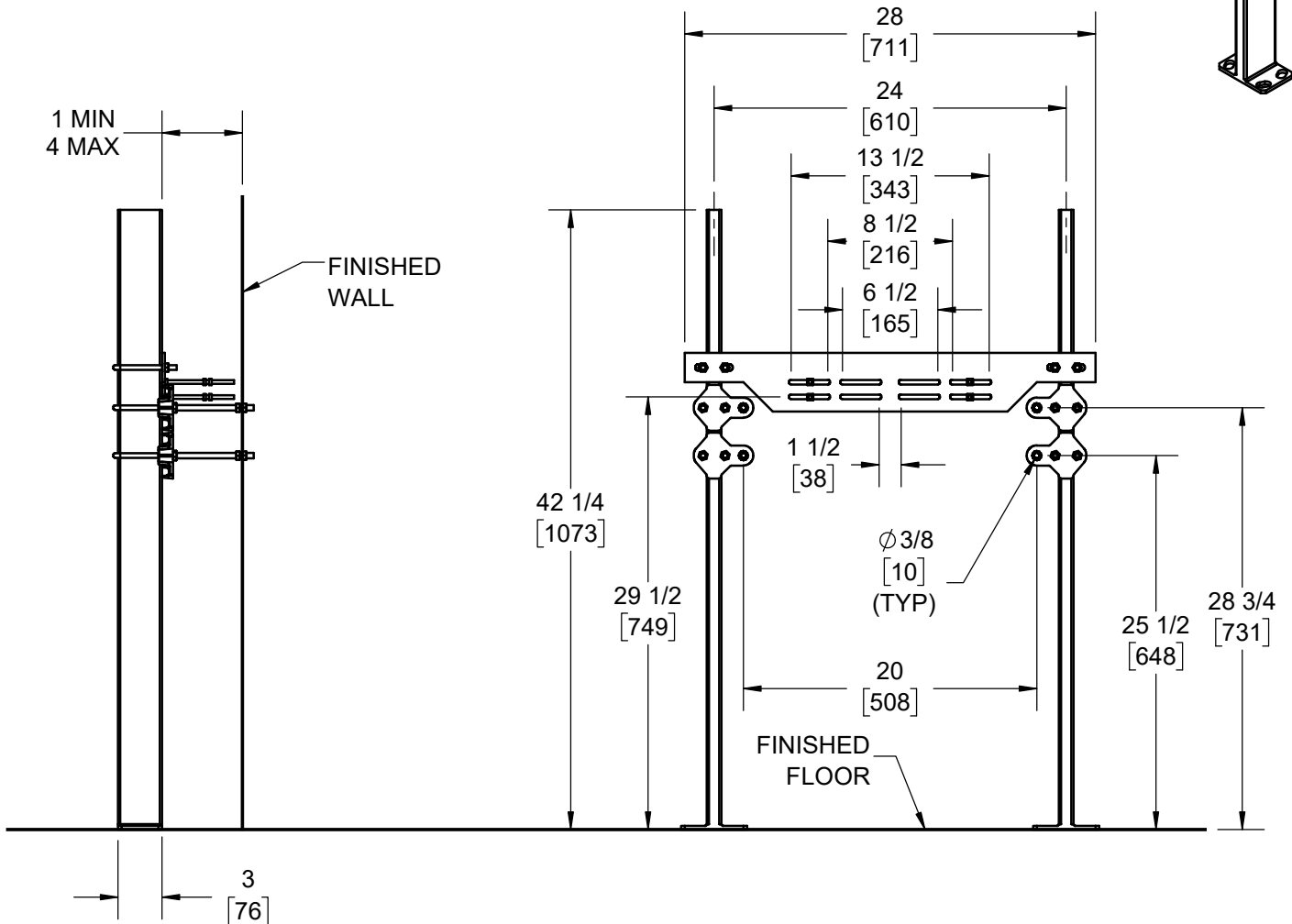
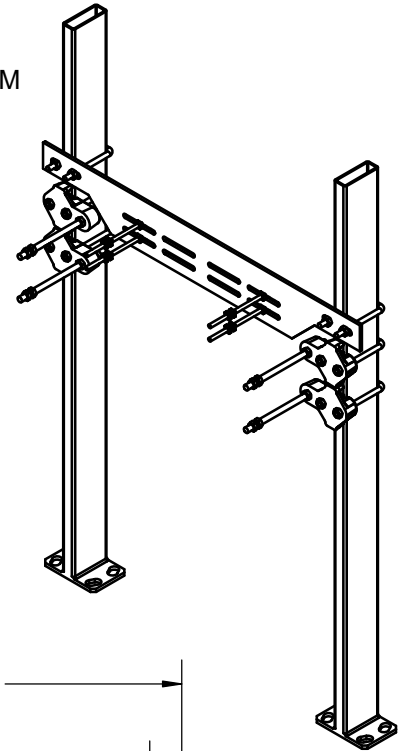
JOSAM 17380-M1802 SERIES FLOOR-MOUNTED, SINGLE HEAVY-DUTY CARRIER WITH 4 HEADERS, MOUNTING PLATE, STRUCTURAL UPRIGHTS WITH WELDED FEET

**FIXTURE CARRIER  
FLOOR-MOUNTED**

SERIES **17380-M1802**

**NOTES:**

1. ALL HARDWARE SUPPLIED MAY NOT BE SHOWN.
2. FOR ZURN Z5004.01 SUNDARA SURF SINGLE BASIN HAND WASHING SYSTEM
3. RECOMMEND FEET TO BE SECURED TO FLOOR WITH 1/2" BOLTS AND ANCHORS BY OTHERS.



WARNING: Cancer and Reproductive Harm - www.P65Warnings.ca.gov

DATE OF LAST CHANGE: 02/15/23 JTJ

DIMENSIONS ARE SUBJECT TO MANUFACTURERS TOLERANCES AND CHANGE WITHOUT NOTICE. WE CAN ASSUME NO RESPONSIBILITY FOR USE OF SUPERSEDED OR VOID DATA.



MICHIGAN CITY, INDIANA

NOTES