

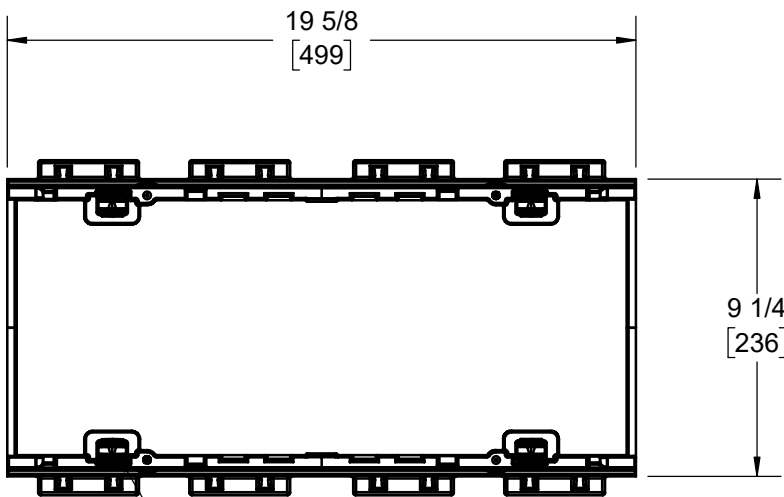
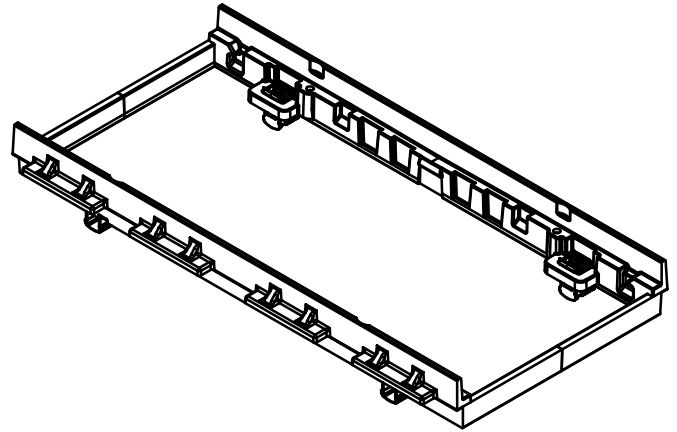
SPECIFICATION:

JOSAM DUCTILE IRON GRATE USED TO PROVIDE IRON EDGE FOR PRO-PLUS 200 SIZE CHANNELS WITH CONCRETE ANCHORS AND PRO-SNAP CONNECTIONS ATTACHED

ACCEPTS 1/2 METER GRATES.

**DUCTILE IRON RAIL
FOR PRO-PLUS 200
W/ PRO-SNAP SECUREMENT**

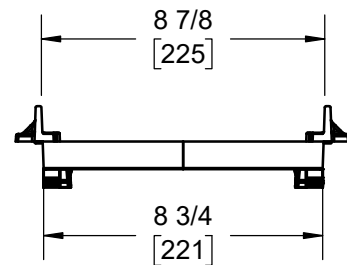
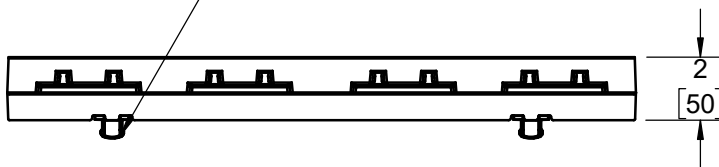
SERIES /
PART NO **152442P**



NOTE:
THIS DUCTILE IRON RAIL WILL NOT
ACCEPT PRO-SNAP GRATES.

LOCKING BAR AND BOLT DOWN ARE
THE ONLY SECURING METHODS.

PRO-SNAP CONNECTION
TO CHANNEL ONLY
FOR ATTACHING DI RAIL



WARNING: Cancer and Reproductive Harm - www.P65Warnings.ca.gov

DATE OF LAST CHANGE: 03/08/22

DIMENSIONS ARE SUBJECT TO MANUFACTURERS
TOLERANCES AND CHANGE WITHOUT NOTICE.
WE CAN ASSUME NO RESPONSIBILITY FOR
USE OF SUPERSEDED OR VOID DATA.



MICHIGAN CITY, INDIANA

NOTES