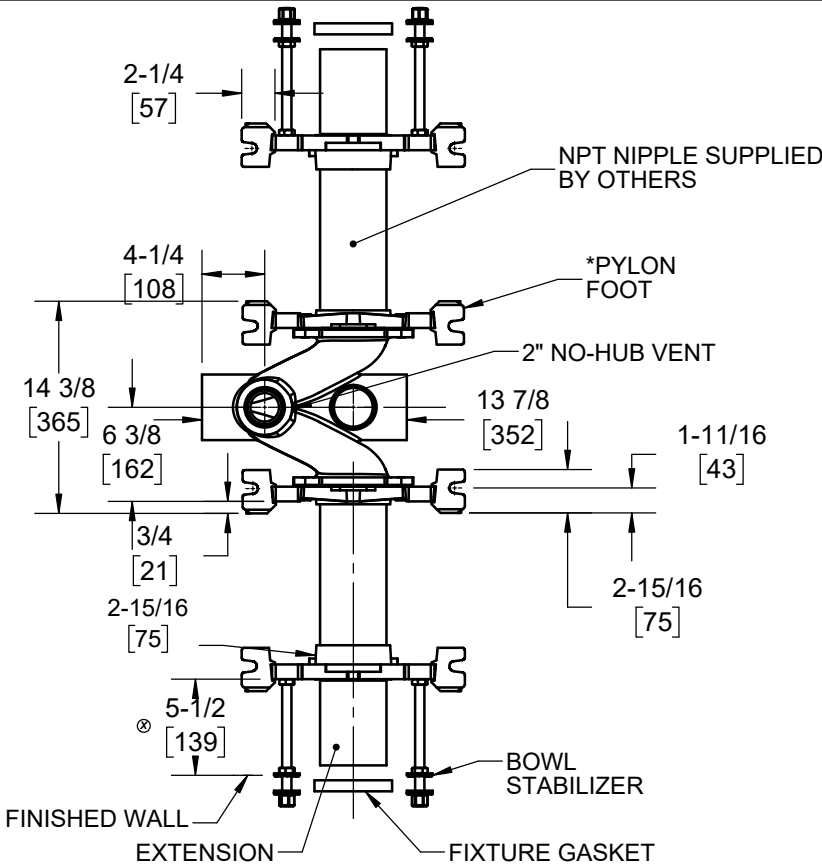


**SPECIFICATION:**

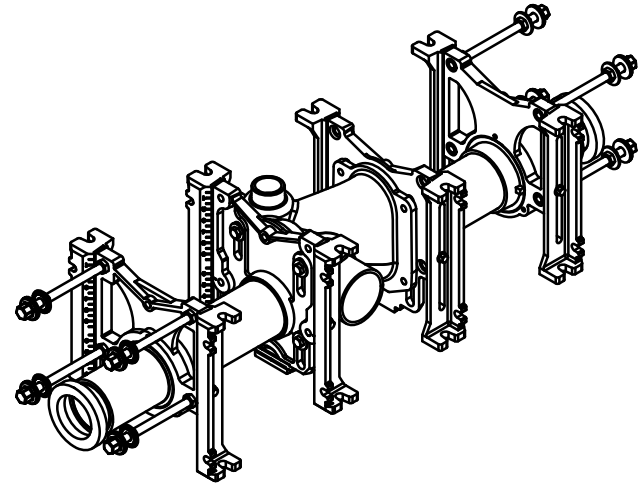
JOSAM 12694-32 SERIES COATED CAST IRON SINGLE HORIZONTAL 4" NO-HUB BACK-TO-BACK FITTING WITH 2" NO-HUB VENT AND ADJUSTABLE CARRIER BODY, INVERTIBLE FOR SIPHON JET OR BLOWOUT CLOSETS, WITH ABS EXTENSIONS WITH INTEGRAL TEST CAPS, PYLON FEET, PLATED HARDWARE AND NEOPRENE FIXTURE GASKETS. 500 LB CAPACITY.

**CLOSET CARRIER  
BACK-TO-BACK**

SERIES **12694-32**



\* RECOMMEND FEET BE SECURED TO FLOOR WITH 1/2 FASTENERS & ANCHORS ( BY OTHERS )



⊗ FOR DIMENSIONS SHORTER THAN 5-1/2" ( 1" MIN. ) CUT EXTENSION. FOR LONGER EXTENSION LENGTH ( 10-1/2" MAX. ) SPECIFY ( -10 )

SIPHON JET DIMENSIONS SHOWN. FOR BLOWOUT DIMENSIONS USE:

■ MIN. 2" & MAX. 4"

● MIN. 11" & MAX. 16-1/2"

● FOR SIPHON JET ROUGHING OVER 6" OR BLOWOUT ROUGHING OVER 12-1/2" SPECIFY ON ORDER

⊗ AUXILIARY INLET IS 6" OFFSET FROM VENT

				-XSD	EXTRA SPECIAL-DUTY 1,000 lbs. CARRIER
X	-PF	PYLON FOOT (STANDARD)		-6	SUPPLY PIPE SUPPORT ( SPECIFY TYPE OF PIPE )
				-10	ABS EXTENSION THROUGH 10-1/2" WALL
	-AUX	⊗ AUXILIARY INLET ( 2" NO-HUB )		-24	FLOOR MOUNTED BACK OUTLET CHINA BOWL
	-HUB AUX	⊗ AUXILIARY INLET ( 2" HUB )		-30	CAST IRON ADJ. EXT. WITH CONNECTOR
	-VP	SECURED TRIM		-30-2	CAST IRON ADJ. EXT. WITH CONNECTOR & TEST CAP
	-1	POSITIONING FRAME	X	-32	CARRIER FOR WIDE CHASE INSTALLATIONS
	-58	HORIZONTAL NO-HUB CAST LONG BARREL		-35	CARRIER FOR WHEEL CHAIR HIGH ROUGH

DATE OF LAST CHANGE: 02/20/25 BLK

DIMENSIONS ARE SUBJECT TO MANUFACTURERS TOLERANCES AND CHANGE WITHOUT NOTICE. WE CAN ASSUME NO RESPONSIBILITY FOR USE OF SUPERSEDED OR VOID DATA.

**JOSAM**  
MICHIGAN CITY, INDIANA

NOTES