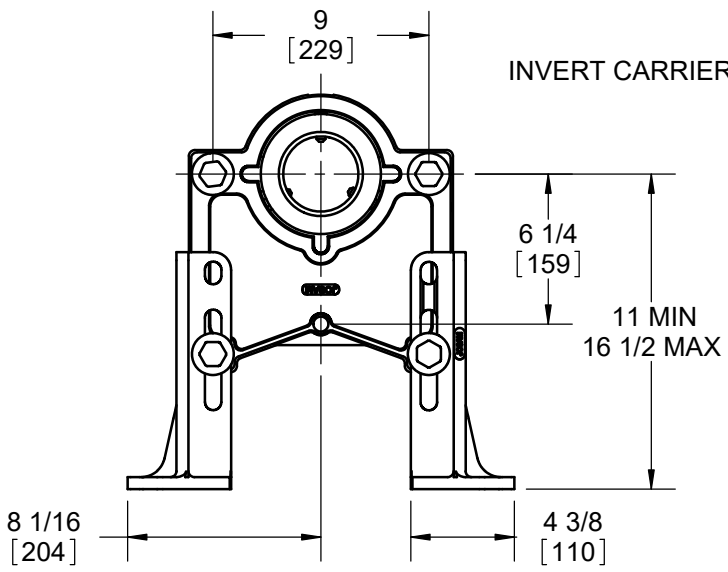
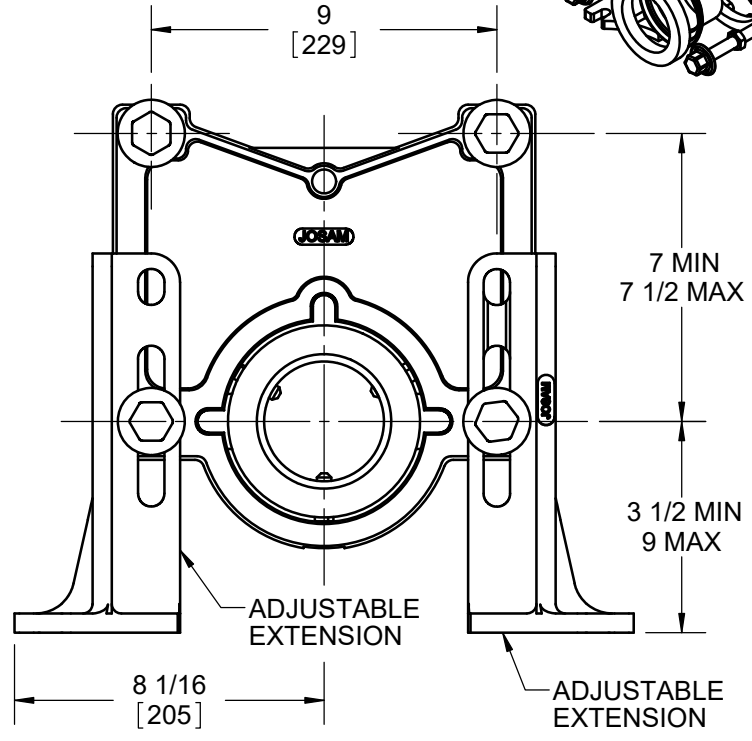
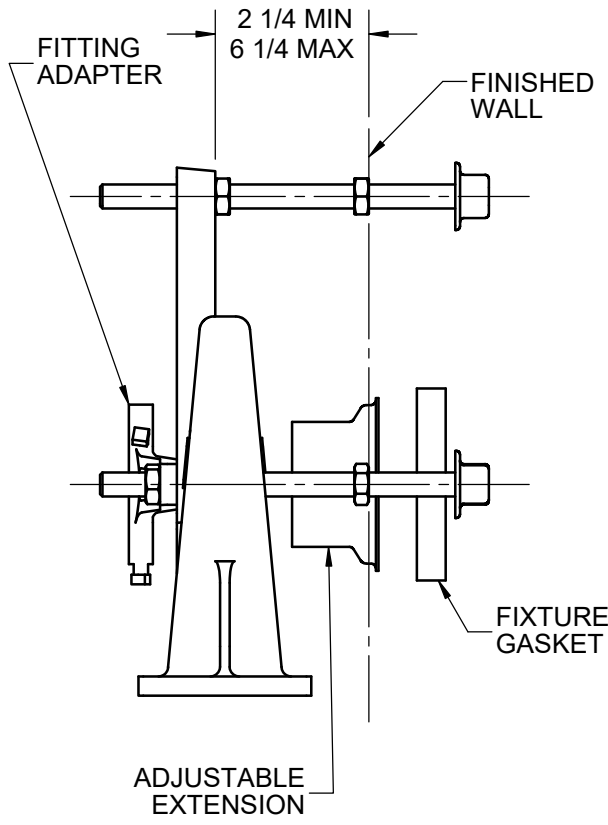
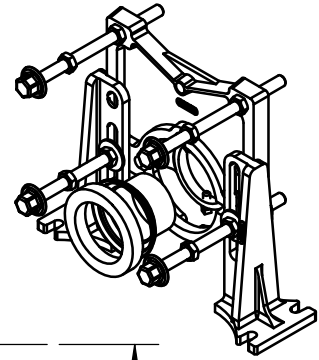


SPECIFICATION:

JOSAM SERIES 11007 COATED CAST IRON UNIVERSAL PIPE GRIP CLOSET CARRIER WITH 3" COPPER PIPE ADAPTER, ADJUSTABLE FEET AND FINISH HARDWARE AND TRIM TO SUPPORT SIPHON JET OR BLOWOUT WALL-HUNG WATER CLOSET. WASTE PIPING AND FITTING SUPPLIED BY OTHERS. 300 LB. CAPACITY

**CLOSET CARRIER
WITH COPPER PIPE ADAPTER**

SERIES **11007**



WARNING: Cancer and Reproductive Harm - www.P65Warnings.ca.gov

DATE OF LAST CHANGE: 12/05/23 BT

DIMENSIONS ARE SUBJECT TO MANUFACTURERS TOLERANCES AND CHANGE WITHOUT NOTICE. WE CAN ASSUME NO RESPONSIBILITY FOR USE OF SUPERSEDED OR VOID DATA.

JOSAM
MICHIGAN CITY, INDIANA

NOTES