

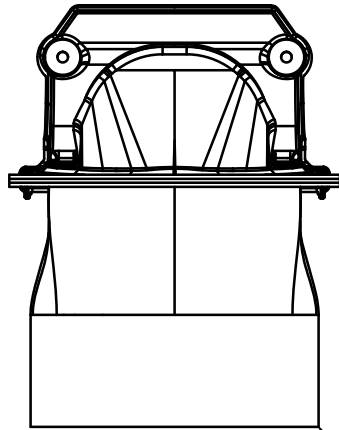
**SPECIFICATION:**

100-SIO4 IS AN ASSEMBLY OF A 100-CT AND A 100-OE4. PARTS ARE ASSEMBLED AND SILICONE IS APPLIED IN ALL GAPS. SECURES TO BOTTOM OF TRENCH WITH TWO SCREWS AND PROVIDES A SIDE INLET OR OUTLET FOR 4" PVC PIPE TO CONNECT TO.

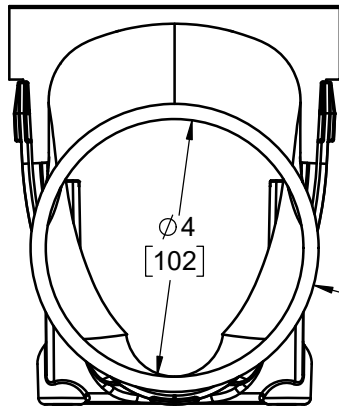
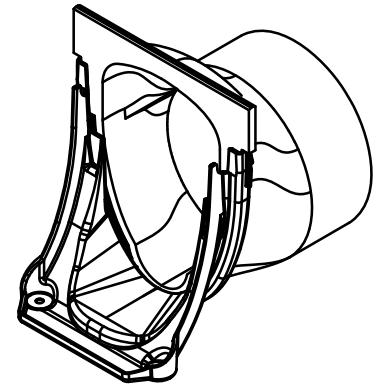
SIDE INLET/OUTLET CONNECTOR

JOSAM

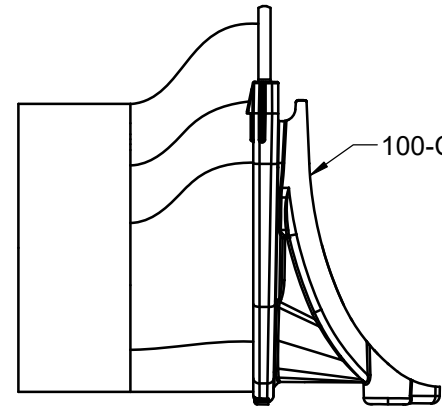
SERIES **100-SIO4**



100-OE4



Ø4 1/2 [114]

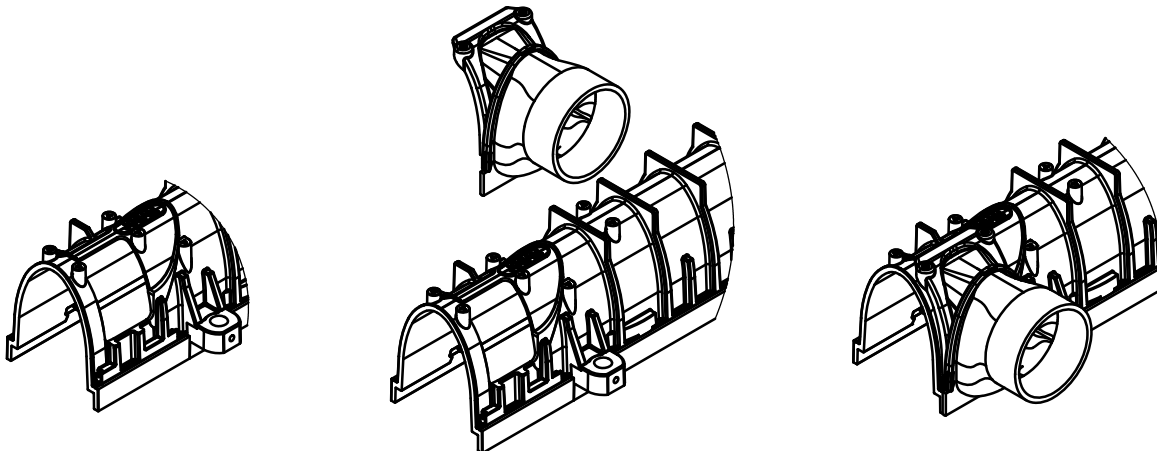


100-CT

**INSTALLATION INSTRUCTIONS**

1. CUTOUT SIDE KNOCKOUT OF CHANNEL
2. PLACE 100-SIO4 INTO POSITION
3. ATTACH TO CHANNEL SCREW BOSSES WITH TWO SCREWS (PROVIDED)

	<b>PART NO</b>	
	100-SIO4XL20	<b>FOR USE ON CHANNELS 11-20</b>



DATE OF LAST CHANGE: 12/14/22 JTJ

DIMENSIONS ARE SUBJECT TO MANUFACTURERS TOLERANCES AND CHANGE WITHOUT NOTICE. WE CAN ASSUME NO RESPONSIBILITY FOR USE OF SUPERSEDED OR VOID DATA.



MICHIGAN CITY, INDIANA

NOTES

WARNING: Cancer and Reproductive Harm - www.P65Warnings.ca.gov